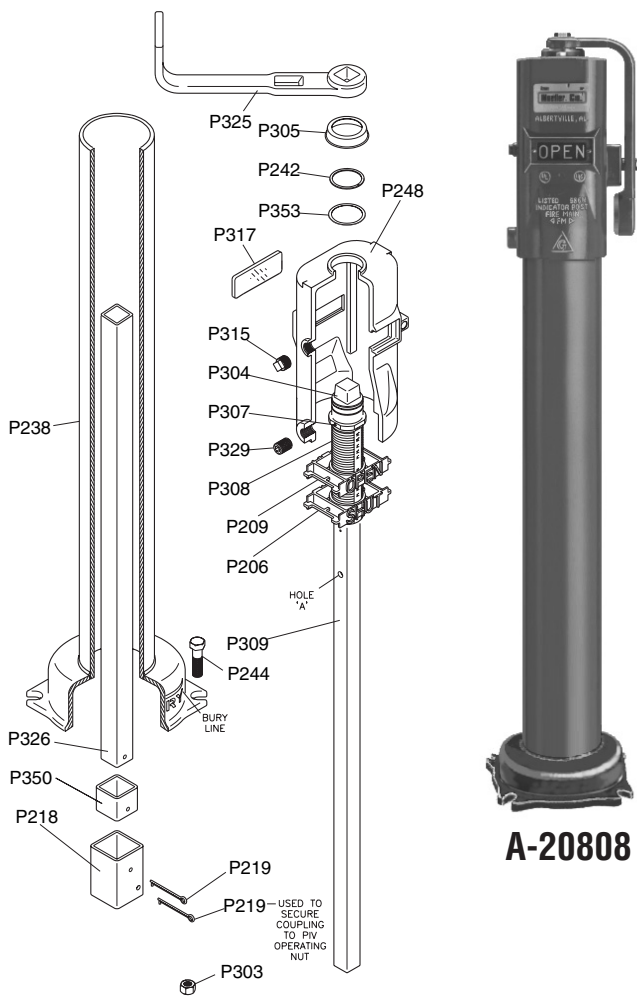


# FIRE PROTECTION PRODUCTS

## A-20808: Non-Adjustable Indicator Post

### PARTS LIST

Catalog Parts No.	Description	Material	Material Standard
P206	SHUT target	Plastic	Zytel
P209	OPEN target	Plastic	Zytel
P218	Coupling	Steel	ASTM A500 GR.B
P219	Cotter Pin (long)	Brass	ASTM B21
P238	Barrel	Ductile Iron/ Steel	ASTM B536 GR.65-45-12 ASTM A500 GR.B
P242	Retaining ring	Stainless Steel	AISI 302
P244	Hex bolt (not shown)	Steel/zinc plated	ASTM A307 GR.A
P248	Post Head	Cast Iron	ASTM A126 CL. B
P303	Hex nut (not shown)	Steel/zinc plated	ASTM A563 GR.A
P304	Operating nut	Ductile iron	ASTM A536 GR.65-45-12
P305	Cap	Polypropylene	
P307	Spring pin	Stainless steel	AISI 420
P308	Threaded sleeve	Plastic	Zytel
P309	Upper stem	Steel	ASTM A513
P315	Pipe plug - hex socket	Steel	
P317	Window	Plexiglass	
P325	Wrench	Ductile Iron	ASTM B536 GR.65-45-12
P326	Lower stem	Steel	ASTM A500 GR.B
P329	Socket head set screw	Steel	ANSI B18.3
P350	Coupling insert	Steel	ASTM A500 GR.B
P353	Washer	Stainless steel	AISI 304



**A-20808**

### MAXIMUM BURY (TRENCH)

Size No.	Valve Size						
	4	6	8	10	12	14	16
0	1' - 0"	1' - 6"	2' - 0"	2' - 6"	2' - 6"	3' - 0"	3' - 6"
1	1' - 6"	2' - 0"	2' - 6"	3' - 0"	3' - 0"	3' - 6"	4' - 0"
2	2' - 0"	2' - 6"	3' - 0"	3' - 6"	3' - 6"	4' - 0"	4' - 6"

### LOWER BARREL DIMENSIONS

Size No.	Size 0	Size 1	Size 2
A	26-5/8"	32-5/8"	38-5/8"
B	24"	30"	36"
C	2"	8"	14"
Weight	150 lbs.	165 lbs.	175 lbs.

**A-20815: Extension Section and Stem.**  
**Lengths: 1' - 0", 1' - 6", 2' - 0", 2' - 6",**  
**3' - 0", 3' - 6", 4' - 0", 4' - 6"**

