

3"-12" SWING TYPE GRAVITY OPERATED CHECK VALVES WITH M.J. X M.J.

- Catalog number---
A-2600-20 mechanical joint ends, with bronze disc facing
A-2602-20 mechanical joint ends, with rubber disc facing
- Sizes---3", 4", 6", 8", 10", 8", 10" and 12"
- Meets all applicable parts of ANSI/AWWA C508 Standard
- Mechanical joint ends comply with ANSI/AWWA C111 Standard
- Iron body, bronze mounted (IBBM)
- Swing type, gravity operated
- Choice of bronze or rubber disc facing
- For horizontal installation only
- O-ring sealed stuffing box
- 175 psig (1207 kPa) maximum working pressure, 350 psig (2414 kPa) test pressure



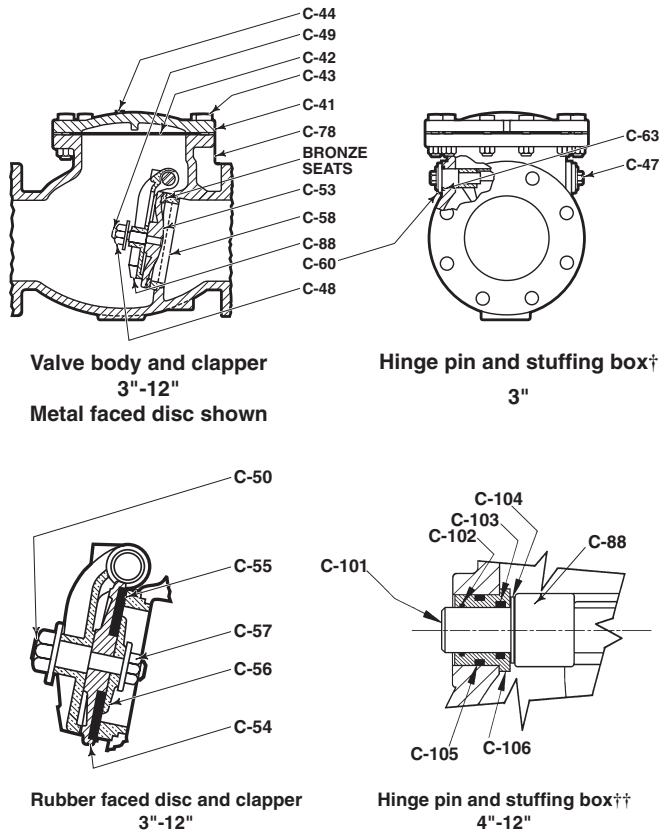
A-2600-20

Options

- Epoxy Coating
- Stainless Steel Nuts & Bolts

Check Valve Parts (1959-present)

Catalog Part No.	Description	Material	Material Standard
C-41	Cover	Cast Iron	ASTM A126 CL.B
C-42	Cover Gasket	Cloth inserted Rubber	ASTM D2000
C-43	Cover Bolt and Nut	Steel	ANSI B18.2.1
C-44	Test Plug	Steel	ASTM A307
C-47	Cap Screw	Steel	ANSI B18.2.1
C-58	Seat Ring	Bronze	ASTM B584
C-60	3" Hinge Plug and Pin (1 pc.)	Bronze	ASTM B138
C-63	Body O-ring	Rubber	ASTM D2000
C-78	Body	Cast Iron	ASTM A126 CL.B
C-88	Clapper Arm	Bronze	ASTM B584
C-101	Hinge Pin	Stainless Steel	ASTM A276 Type 303
C-102	Hinge Pin O-ring (small)	Rubber	ASTM D2000
C-103	Hinge Pin O-ring (large)	Rubber	ASTM D2000
C-104	Snap Ring	Stainless Steel	
C-105	Stuffing Box O-ring	Rubber	ASTM D2000
C-106	Stuffing Box	Bronze	ASTM B138
Metal Faced Disc Parts			
C-48	Stud Nut	Bronze	ASTM B62
C-49	Disc Stud	Bronze	ASTM B21
C-53	Disc*	Cast Iron	ASTM A126 CL.B
Rubber Faced Disc Parts			
C-50	Disc Stud	Bronze	ASTM B21
C-54	Disc**	Cast Iron	ASTM A126 CL.B
C-55	Rubber Disc Facing	Rubber	ASTM D2000
C-56	Retainer Washer	Bronze	ASTM B584
C-57	Retainer Nut	Bronze	ASTM B62



*3" sizes are bronze, ASTM B584. Sizes 4" and larger with cast iron disc have bronze on seating area.

**3"-4" sizes are bronze ASTM B584.

†Illustration for 1993 through current 3" sizes; also applies to all 3" through 12" sizes 1959 through 1992.

††Illustration for 1993 through current 4" through 12" sizes only. Parts are not interchangeable with 1992 and prior sizes. For 1959 through 1992 valves, see footnote †, above. Contact Mueller for valves 1958 and prior.