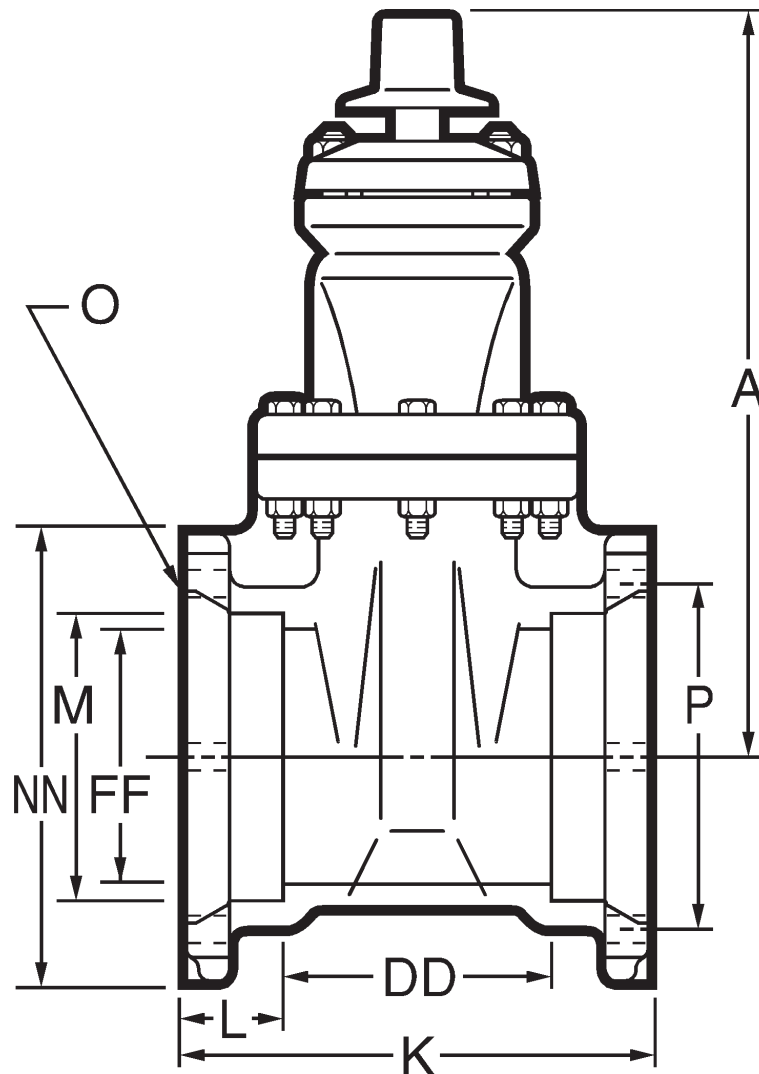


FIRE PROTECTION PRODUCTS



Dimensions

Dimension*	Nominal Size		
	4"	6"	8"
A	14.19	18.00	21.50
K	10.00	11.50	12.50
L	2.50	2.50	2.50
M	5.17	7.27	9.47
O (number and size of holes)	4--.88	6--.88	6--.88
P (bolt circle diameter)	7.75	9.75	12.125
DD	5.00	6.50	7.50
FF	4.30	6.30	8.30
NN	9.44	11.44	13.81
Turns to open	14	20.5	26.5
Weight*	120	186	280

* All dimensions are in inches. All weights include accessories are in pounds and approximate.