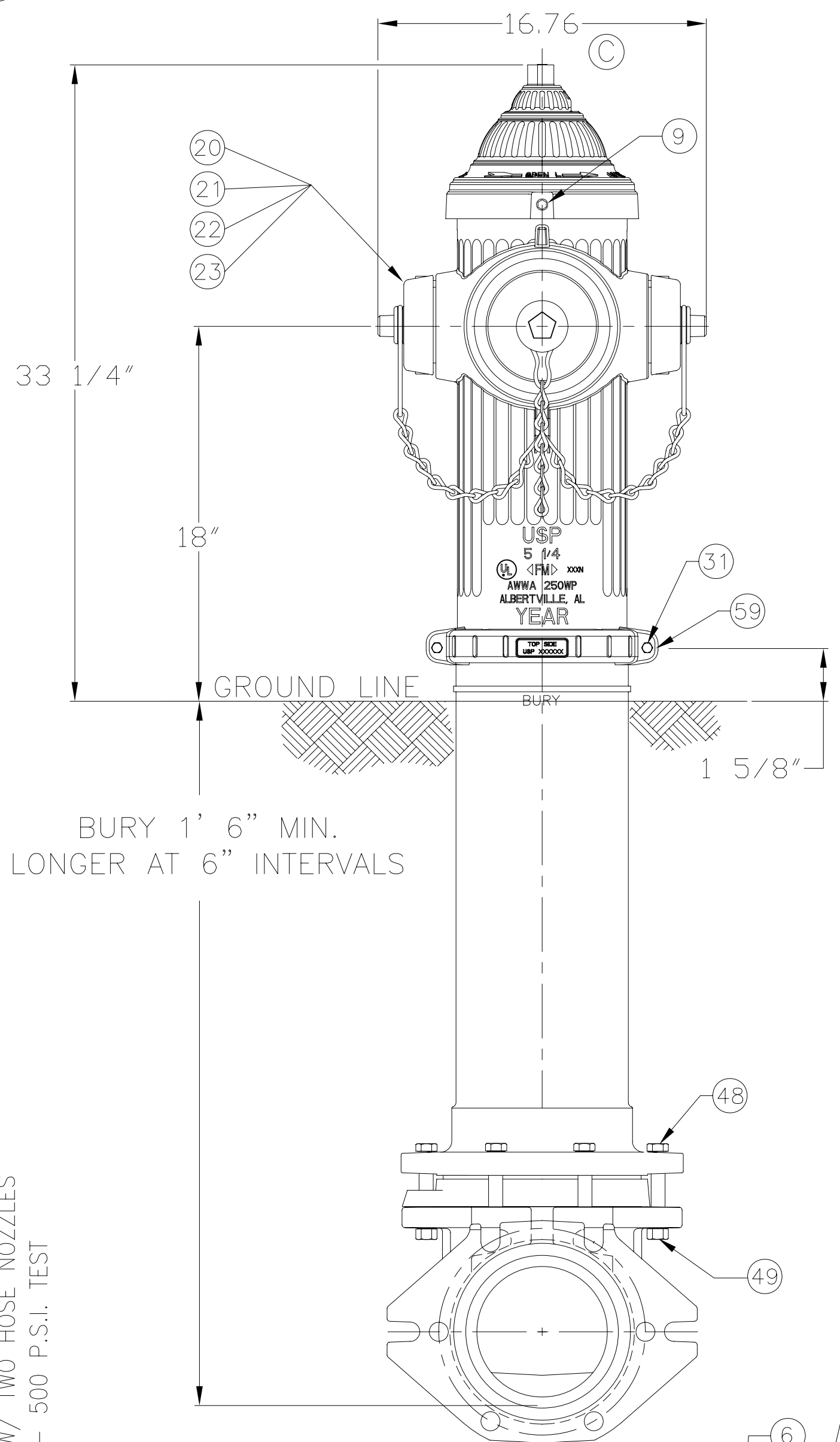


A451-4 1/2" & A453-5 1/4" SENTINEL "250" W/ TWO HOSE NOZZLES & ONE PUMPER NOZZLE - 250 P.S.I. W.P. - 500 P.S.I. TEST

DWG. FH 173



BURY 1' 6" MIN.  
LONGER AT 6" INTERVALS

PARTS LIST				
ITEM	DESCRIPTION	REQ'D	MATERIAL	A.S.T.M.
1	OPERATING NUT	1	DUCTILE IRON	A-536
2	OPERATING NUT SEAL	1	RUBBER	BUNA N 70 DURO
3	OPERATING NUT LOCKING PIN	1	STEEL	
4	LUBRICANT (IN CHAMBER)	1	DIANA 2100	FORSYTHE
5	TRAVEL NUT STOP	1	STEEL	A-307 GRADE B
6	HOLD DOWN NUT	1	BRONZE	A-584 C8345
7	HOLD DOWN NUT SCREW	1	STEEL	A-574
8	BONNET	1	DUCTILE IRON	A-536
9	BONNET LOCKING SCREW	1	STAINLESS STEEL	TYPE 18-8
10	BONNET SEAL	1	RUBBER	BUNA N 70 DURO
11	O-RING	1	RUBBER	BUNA N 70 DURO
12	BONNET-REVOLVING NUT "O" RINGS	2	RUBBER	BUNA N 70 DURO
13	REVOLVING NUT	1	BRONZE	A-584 C862
14	INNER REVOLVING NUT "O" RINGS	2	RUBBER	BUNA N 70 DURO
15	PUMPER NOZZLE	1	BRONZE	B-584 ALLOY 844
16	PUMPER NOZZLE CAP GASKET	1	RUBBER	D-2000 NEOPRENE
17	PUMPER NOZZLE CAP	1	CAST IRON	A-126 CLASS B
18	PUMPER NOZZLE "O" RING	1	RUBBER	D-2000 BUNA N 70 DURO
19	NOZZLE LOCK	3	STAINLESS STEEL	A-276 305 OR 410
20	HOSE NOZZLE	2	BRONZE	B-584 ALLOY 844
21	HOSE NOZZLE CAP GASKET	2	RUBBER	D-2000 NEOPRENE

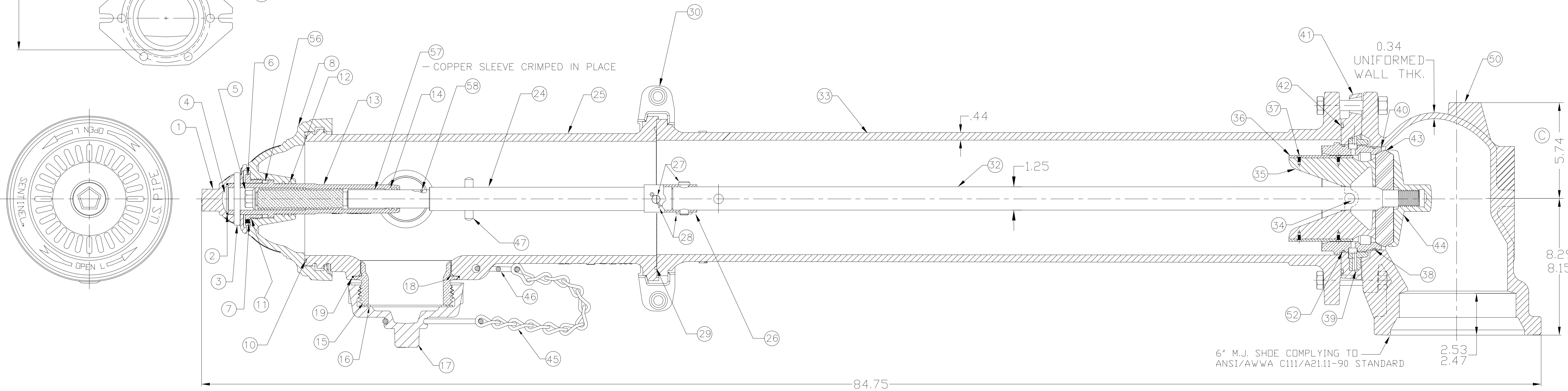
SEE CAT. RECORD FOR RESPECTIVE PARTS OR SUB. ASS'YS

ITEM	DESCRIPTION	REQ'D	MATERIAL	A.S.T.M.
22	HOSE NOZZLE "O" RING	2	RUBBER	D-2000 BUNA N 70 DURO
23	HOSE NOZZLE CAP	2	CAST IRON	A-126 CLASS B
24	ROD UPPER	1	HOT ROLLED STEEL	
25	STANDPIPE UPPER	1	DUCTILE IRON	A-536
26	ROD COUPLING (FRANGIBLE)	1	STAINLESS STEEL	A-890 1.5% SILICON MAX.
27	COITER PIN	2	STAINLESS STEEL	A-276 302
28	CLEVIS PIN	2	STAINLESS STEEL	A-276 305
29	STANDPIPE COUPLING SEAL	1	RUBBER	BUNA N 70 DURO
30	SP. COUPLING HALVES	2	CAST IRON	A-126 CLASS B
31	STANDPIPE COUPLING BOLTS	2	STAINLESS STEEL	A-194 316
32	VALVE ROD LOWER	1	HOT ROLLED STEEL	
33	STANDPIPE LOWER	1	CAST IRON	A-126 CLASS B
34	TOP PLATE PIN-SHEAR PROOF	1	STAINLESS STEEL	A-276 302
35	UPPER VALVE PLATE	1	BRONZE	B-584 ALLOY 844
36	DRAIN VALVE FACING	2	H.D. POLYETHYLENE	LS 5660-00
37	DRAIN VALVE FACING SCREW	4	STAINLESS STEEL	A-276 302
38	BOTTOM SEAT "O" RING	1	RUBBER	D-2000 BUNA N 70 DURO
39	DRAIN RING	1	BRONZE	B-584 ALLOY 844
40	SEAT RING	1	BRONZE	B-584 ALLOY 844
41	DRAIN RING HOUSING	1	CAST IRON	A-126 CLASS B
42	DRAIN RING HOUSING O-RING	1	RUBBER	D-2000 BUNA N 70 DURO
43	MAIN VALVE	1	RUBBER	D-2000 NATURAL

ITEM	DESCRIPTION	REQ'D	MATERIAL	A.S.T.M.
44	LOWER VALVE PLATE	1	CAST IRON	A-126 CLASS B
45	CAP CHAINS	3	STEEL	ELECTRO GALV.
46	CHAIN HOOK	1	STEEL	ELECTRO GALV.
47	UPPER STEM PIN	1	STAINLESS STEEL	A-276 302
48	HEX BOLT	6	STEEL	A-307 ELECTRO GALV. GR. B
49	HEX NUT	6	STEEL	A-307 ELECTRO GALV. GR. B
50	SHOE	1	DUCTILE IRON	A-536 65-45-12
* 51	PIPE GLAND	1	CAST IRON	A-126 CLASS B
* 52	TOP SEAT O-RING	1	RUBBER	D-2000 BUNA N 70 DURO
* 53	MECH. JOINT GASKET	1	RUBBER	D-2000 R-42
* 54	T-HEAD BOLT	6	STEEL	A-242 TYPE 1
* 55	HEX NUT	6	STEEL	A-242 TYPE 1
56	ANTI-FRICTION BEARING	1	DELIN 500	DUPONT
57	SLEEVE	1	COPPER	B-75 ALLOY 122
58	STEM O-RING	1	RUBBER	D-2000 BUNA N
59	STANDPIPE COUPLING NUTS	2	STAINLESS STEEL	A-193 316

\* NOT SHOWN

NOTE: SIZE AND STYLE OF OPERATING NUT, SHOE SIZE, AND THREADING OF NOZZLES IS PER CUSTOMER SPECS.



© NOTE:  
 1. HYDRANTS ARE SHIPPED 9 TO A BUNDLE WITH TIMBERS ON THE BOTTOM AND BETWEEN THE FIRST AND SECOND ROWS.  
 2. TOTAL WEIGHT IS APPROXIMATELY 4,000 LBS.  
 3. FREIGHT IS ALLOWED ON SHIPMENTS WITH IN THE CONTINENTAL USA.

REV.	DESCRIPTION	REF.	DRTR	CHKR	APP	DATE
C	ADD SHIPPING DIM. & INFO		ANC			3-13-09
B	REVISED ITEM # 59		ANC			11-4-08
A	REVISED ITEM # 4 & 31		ANC			7-28-08

DRFT'R: ANC 10-18-07 CHK'R: CJD 10-18-07 APP: REH 10-18-07		TOLERANCES - MACHINING UNLESS OTHERWISE NOTED BREAK EDGES: MACH. .006/016 FINISH SURFACES: 125		U.S. PIPE DESCR: 4 1/2" & 5 1/4" SENTINEL "250" W/ TWO HOSE NOZZLES ONE PUMPER NOZZLE	
E.O. NUMBER:		MATL. SEE TABLE		REVISION: C	
U.S. PIPE		U.S. PIPE		U.S. PIPE	

UNITED STATES PIPE & FOUNDRY	
THIRD ANGLE PROJECTION	
PURCH.	FINISH
REF. NO.	SCALE
STK. NO.	N.T.S.
SEE TABLE	SEE TABLE