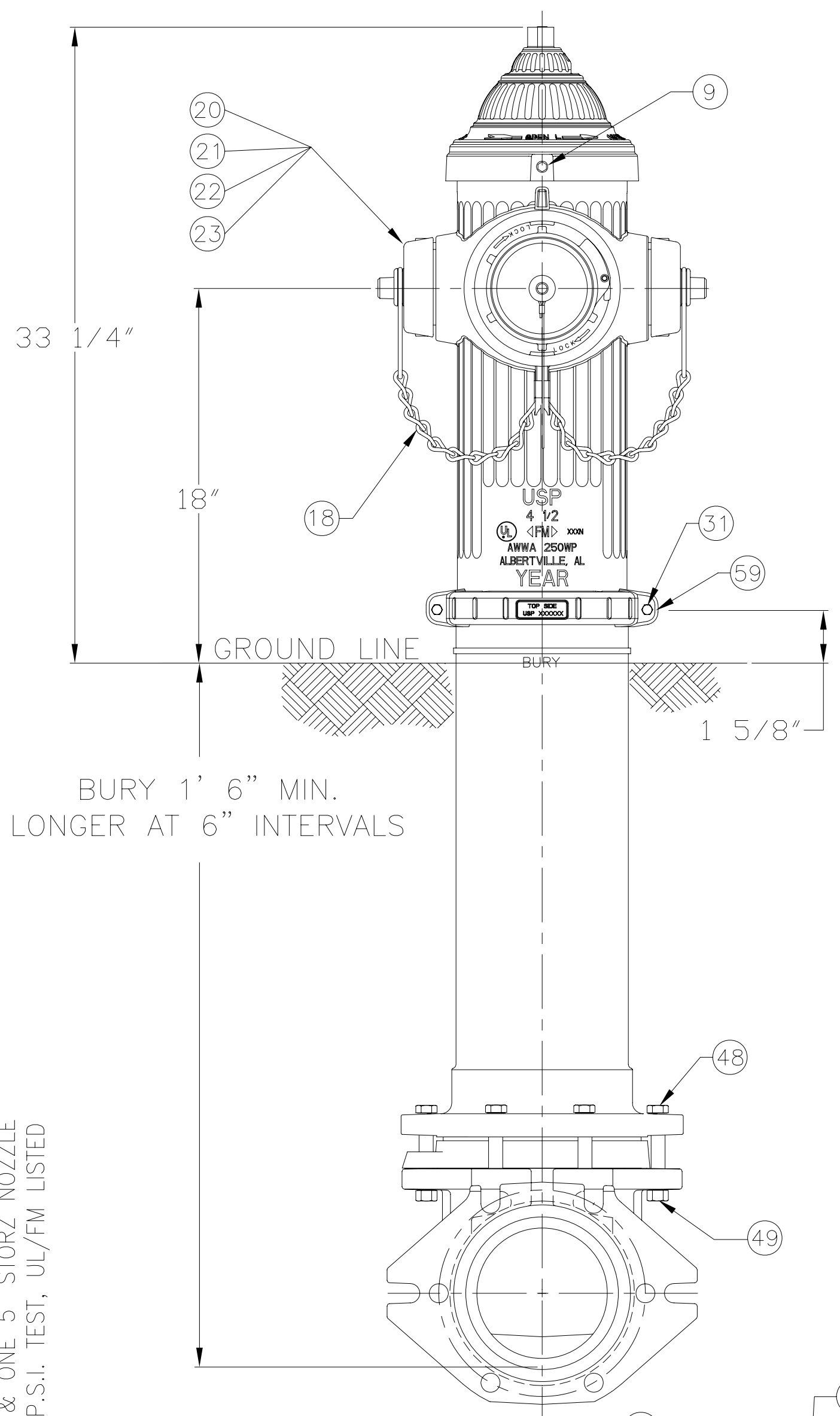


4 1/2" SENTINEL "250" W/ TWO HOSE NOZZLES & ONE 5" STORZ NOZZLE  
 ANWA C502 COMPLIANT - 250 P.S.I. W.P. - 500 P.S.I. TEST, UL/FM LISTED

DWG. FH 243



| PARTS LIST |                                     |       |                 |                       |
|------------|-------------------------------------|-------|-----------------|-----------------------|
| ITEM       | DESCRIPTION                         | REQ'D | MATERIAL        | A.S.T.M.              |
| 1          | OPERATING NUT                       | 1     | DUCTILE IRON    | A-536                 |
| 2          | OPERATING NUT SEAL                  | 1     | RUBBER          | BUNA N 70 DURO        |
| 3          | OPERATING NUT LOCKING PIN           | 1     | STEEL           |                       |
| 4          | LUBRICANT (IN CHAMBER)              | 1     | DIANA 2100      | FORSYTHE              |
| 5          | TRAVEL NUT STOP                     | 1     | STEEL           | A-307 GRADE B         |
| 6          | HOLD DOWN NUT                       | 1     | BRONZE          | A-584 C8345           |
| 7          | HOLD DOWN NUT SCREW                 | 1     | STEEL           | A-574                 |
| 8          | BONNET                              | 1     | DUCTILE IRON    | A-536                 |
| 9          | BONNET LOCKING SCREW                | 1     | STAINLESS STEEL | TYPE 18-8             |
| 10         | BONNET SEAL                         | 1     | RUBBER          | BUNA N 70 DURO        |
| 11         | O-RING #140                         | 1     | RUBBER          | BUNA N 70 DURO        |
| 12         | BONNET-REVOLVING NUT "O" RINGS #225 | 2     | RUBBER          | BUNA N 70 DURO        |
| 13         | REVOLVING NUT                       | 1     | BRONZE          | A-584 C862            |
| 14         | INNER REVOLVING NUT "O" RINGS #217  | 2     | RUBBER          | BUNA N 70 DURO        |
| 15         | GASKET                              | 1     | RUBBER          | D-2000                |
| 16         | PUMPER NOZZLE "O" RING #253         | 1     | RUBBER          | D-2000 BUNA N 70 DURO |
| 17         | 5" STORZ PUMPER CAP                 | 1     | ALUMINUM        | B-108 ALLOY 356-T6    |
| 18         | CAP CHAINS                          | 2     | STEEL           | ELECTRO GALV.         |
| 19         | 5" STORZ PUMPER NOZZLE              | 1     | ALUMINUM BRONZE | B-148 ALLOY C95200    |
| 20         | HOSE NOZZLE                         | 2     | BRONZE          | B-584 ALLOY 844       |
| 21         | HOSE NOZZLE CAP GASKET              | 2     | RUBBER          | D-2000 NEOPRENE       |

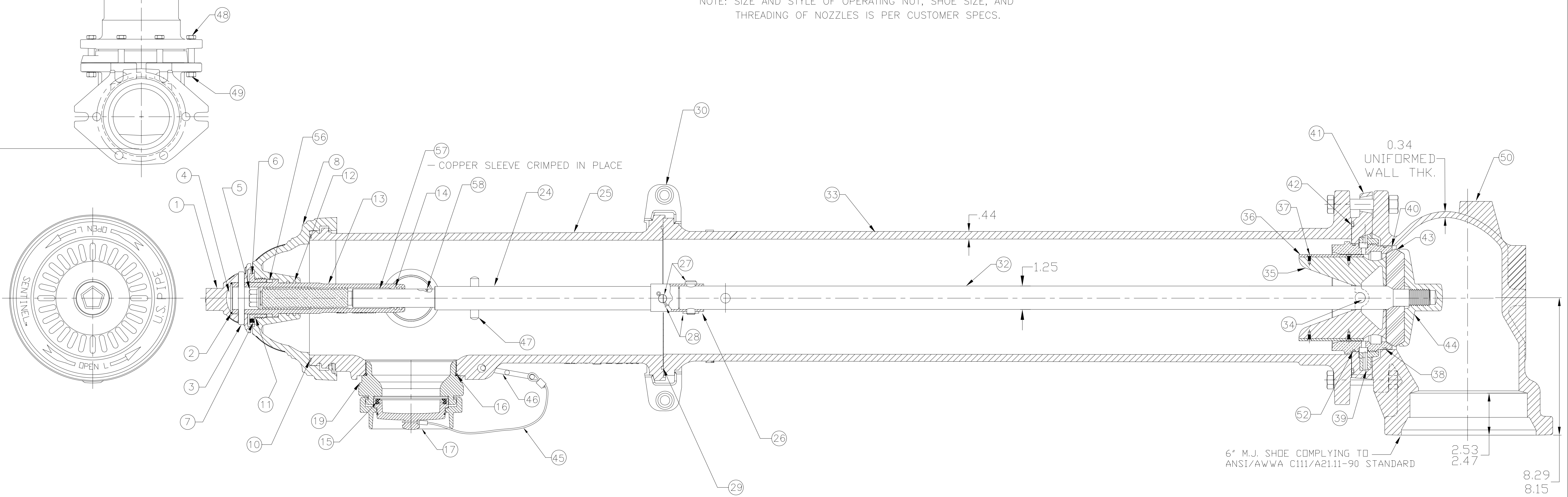
SEE CAT. RECORD FOR RESPECTIVE PARTS OR SUB. ASS'YS

| ITEM | DESCRIPTION                    | REQ'D | MATERIAL          | A.S.T.M.                |
|------|--------------------------------|-------|-------------------|-------------------------|
| 22   | HOSE NOZZLE "O" RING #233      | 2     | RUBBER            | D-2000 BUNA N 70 DURO   |
| 23   | HOSE NOZZLE CAP                | 2     | CAST IRON         | A-126 CLASS B           |
| 24   | ROD UPPER                      | 1     | HOT ROLLED STEEL  |                         |
| 25   | STANDPIPE UPPER                | 1     | DUCTILE IRON      | A-536                   |
| 26   | ROD COUPLING (FRANGIBLE)       | 1     | STAINLESS STEEL   | A-890 1.5% SILICON MAX. |
| 27   | COTTER PIN                     | 2     | STAINLESS STEEL   | A-276 302               |
| 28   | CLEVIS PIN                     | 2     | STAINLESS STEEL   | A-276 305               |
| 29   | STANDPIPE COUPLING SEAL        | 1     | RUBBER            | BUNA N 70 DURO          |
| 30   | SP. COUPLING HALVES            | 2     | CAST IRON         | A-126 CLASS B           |
| 31   | STANDPIPE COUPLING BOLTS       | 2     | STAINLESS STEEL   | A-194 B8M               |
| 32   | VALVE ROD LOWER                | 1     | HOT ROLLED STEEL  |                         |
| 33   | STANDPIPE LOWER                | 1     | CAST IRON         | A-126 CLASS B           |
| 34   | TOP PLATE PIN-SHEAR PROOF      | 1     | STAINLESS STEEL   | A-276 302               |
| 35   | UPPER VALVE PLATE              | 1     | BRONZE            | B-584 ALLOY 844         |
| 36   | DRAIN VALVE FACING             | 2     | H.D. POLYETHYLENE | LS 5660-00              |
| 37   | DRAIN VALVE FACING SCREW       | 4     | STAINLESS STEEL   | A-276 302               |
| 38   | BOTTOM SEAT "O" RING #257      | 1     | RUBBER            | D-2000 BUNA N 70 DURO   |
| 39   | DRAIN RING                     | 1     | BRONZE            | B-584 ALLOY 844         |
| 40   | SEAT RING                      | 1     | BRONZE            | B-584 ALLOY 844         |
| 41   | DRAIN RING HOUSING             | 1     | CAST IRON         | A-126 CLASS B           |
| 42   | DRAIN RING HOUSING O-RING #258 | 1     | RUBBER            | D-2000 BUNA N 70 DURO   |
| 43   | MAIN VALVE                     | 1     | RUBBER            | D-2000 NATURAL          |

| ITEM | DESCRIPTION             | REQ'D | MATERIAL        | A.S.T.M.                 |
|------|-------------------------|-------|-----------------|--------------------------|
| 44   | LOWER VALVE PLATE       | 1     | CAST IRON       | A-126 CLASS B            |
| 45   | STORZ CAP CABLE         | 1     | STAINLESS STEEL |                          |
| 46   | CHAIN HOOK              | 1     | STEEL           | ELECTRO GALV.            |
| 47   | UPPER STEM PIN          | 1     | STAINLESS STEEL | A-276 302                |
| 48   | HEX BOLT                | 6     | STEEL           | A-307 ELECTROGALV. GR. B |
| 49   | HEX NUT                 | 6     | STEEL           | A-307 ELECTROGALV. GR. B |
| 50   | SHOE                    | 1     | DUCTILE IRON    | A-536 65-45-12           |
| * 51 | PIPE GLAND              | 1     | CAST IRON       | A-126 CLASS B            |
| 52   | TOP SEAT O-RING #258    | 1     | RUBBER          | D-2000 BUNA N 70 DURO    |
| * 53 | MECH. JOINT GASKET      | 1     | RUBBER          | D-2000 R-42              |
| * 54 | T-HEAD BOLT             | 6     | STEEL           | A-242 TYPE 1             |
| * 55 | HEX NUT                 | 6     | STEEL           | A-242 TYPE 1             |
| 56   | ANTI-FRICTION BEARING   | 1     | DELIN 500       | DUPONT                   |
| 57   | SLEEVE                  | 1     | COPPER          | B-75 ALLOY 122           |
| 58   | STEM O-RING #020        | 1     | RUBBER          | D-2000 BUNA N            |
| 59   | STANDPIPE COUPLING NUTS | 2     | STAINLESS STEEL | A-193 316                |
| * 60 | NOZZLE LOCK             | 3     | STAINLESS STEEL | A-276 305 OR 410         |

\* NOT SHOWN

NOTE: SIZE AND STYLE OF OPERATING NUT, SHOE SIZE, AND THREADING OF NOZZLES IS PER CUSTOMER SPECS.



|                        |                                 |   |   |
|------------------------|---------------------------------|---|---|
| DRFT'R<br>CHK'R<br>APP | INITIAL RELEASE<br>ANC 07-08-09 | <b>TOLERANCES - MACHINING</b><br>UNLESS OTHERWISE NOTED<br>BREAK EDGES<br>MACH. .006/016<br>FINISH SURFACES<br>125<br>ANGLES<br>±1/64<br>DECIMALS<br>2 PL ±.025<br>3 PL ±.005 | PURCH.<br>FINISH<br>REF. NO.<br>SCALE<br>N.T.S.<br>STK. NO. SEE TABLE |
| U.S. Pipe              |                                 | MATL. SEE TABLE<br>DESCR. 4 1/2" SENTINEL "250" W/ TWO HOSE NOZZLES ONE 5" STORZ NOZZLE   | REVISION<br>A<br>NUMBER<br>FH 243<br>SHEET 1 OF 1                     |

| REV. | DESCRIPTION  | REF. | DRFT'R | CHK'R | APP | DATE    |
|------|--|------|--------|-------|-----|---------|
| A    | ADD ANWA C502 COMPLIANT, UL/FM LISTED, 250 PSI W.P. & 500 PSI TESTED |      | ANC    |       |     | 7-10-09 |