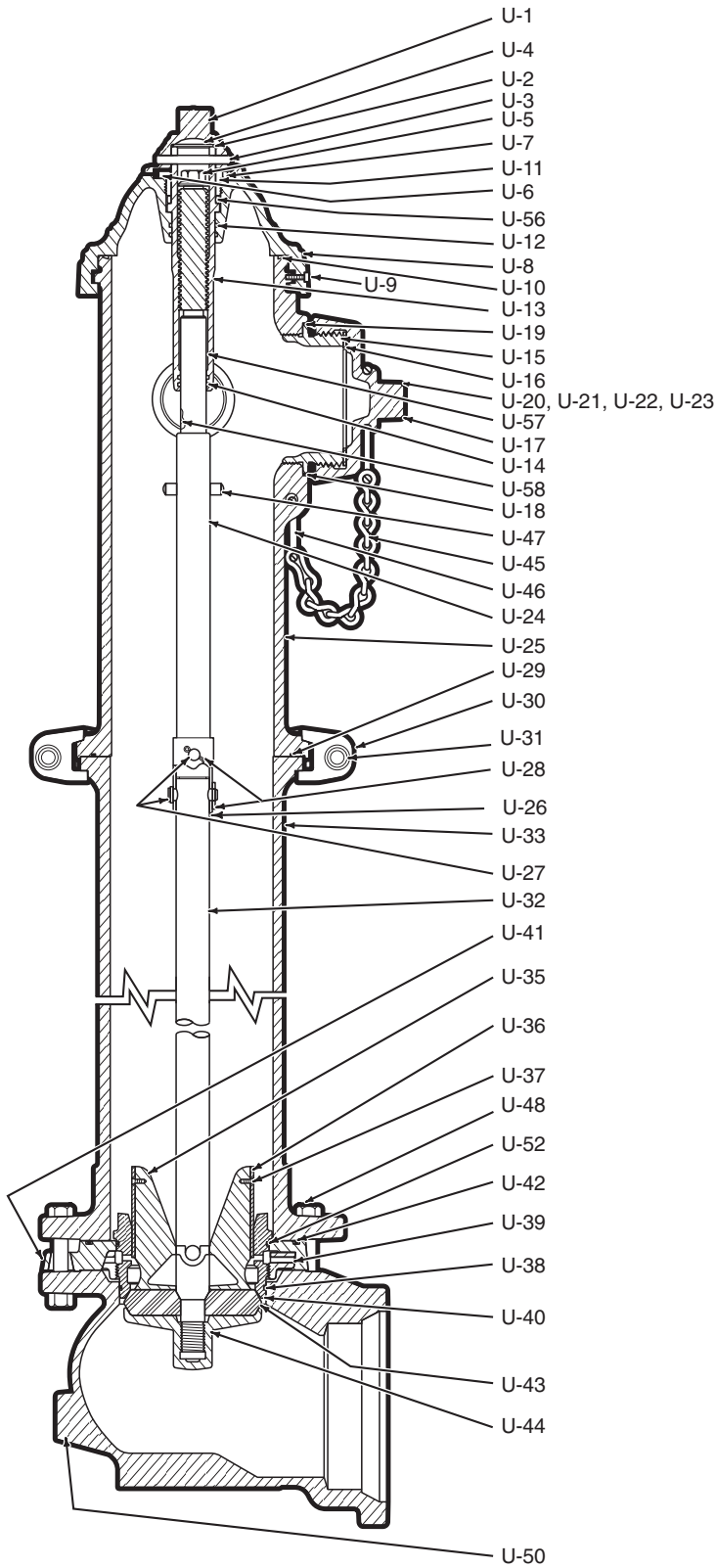


SENTINEL 250™ FIRE HYDRANT PARTS



Item #	Part Name	Qty.	Material
U-1	Operating Nut	1	Ductile Iron
U-2	Operating Nut Seal	1	Rubber
U-3	Operating Nut Locking Pin	1	Steel
U-4	Hydrant Lubricant (in chamber)	1	Diana 2100
U-5	Travel Stop Nut	1	Steel
U-6	Hold Down Nut	1	Bronze
U-7	Hold Down Nut Screw	1	Steel
U-8	Bonnet	1	Ductile Iron
U-9	Bonnet Locking Screw	1	Stainless Steel
U-10	Bonnet Seal	1	Rubber
U-11	Hold Down Nut O-Ring	1	Rubber
U-12	Bonnet - Revolving Nut O-Rings	2	Rubber
U-13	Revolving Nut	1	Bronze
U-14	Inner Revolving Nut O-Rings	2	Rubber
U-15	Pumper Nozzle	1	Bronze
U-16	Pumper Nozzle Cap Gasket	1	Rubber
U-17	Pumper Nozzle Cap	1	Cast Iron
U-18	Pumper Nozzle O-Ring	1	Rubber
U-19	Nozzle Lock	3	Stainless Steel
U-20	Hose Nozzle	2	Bronze
U-21	Hose Nozzle Cap Gasket	2	Rubber
U-22	Hose Nozzle O-Ring	2	Rubber
U-23	Hose Nozzle Cap	2	Cast Iron
U-24	Valve Rod Upper	1	Steel
U-25	Standpipe Upper	1	Ductile Iron
U-26	Safety Coupling	1	Stainless Steel
U-27	Cotter Pin	2	Stainless Steel
U-28	Clevis Pins	2	Stainless Steel
U-29	Safety Flange O-Ring	1	Rubber
U-30	Traffic Standpipe Coupling Halves	2	Cast Iron
U-31	Standpipe Coupling Nuts & Bolts	2	Stainless Steel
U-32	Valve Rod Lower	1	Steel
U-33	Standpipe Lower	1	Cast Iron
U-34	Top Plate Pin - Shear Proof	1	Stainless Steel
U-35	Upper Valve Plate	1	Bronze
U-36	Drain Valve Facing	2	Rubber
U-37	Drain Valve Facing Screw	4	Stainless Steel
U-38	Bottom Seat O-Ring	1	Rubber
U-39	Drain Ring	1	Bronze
U-40	Seat Ring	1	Bronze
U-41	Drain Ring Housing	1	Cast Iron
U-42	Drain Ring Housing O-Ring	1	Rubber
U-43	Main Valve	1	Rubber
U-44	Lower Valve Plate	1	Cast Iron
U-45	Cap Chains	3	Steel
U-46	Chain Hooks	1	Steel
U-47	Upper Stem Pin	1	Stainless Steel
U-48	Shoe Bolt and Nut		Steel
U-50	Shoe	1	Ductile Iron
U-52	Top Seat O-ring	1	Rubber
U-56	Anti-Friction Bearing	1	Delrin® 500*
U-57	Sleeve	1	Copper
U-58	Stem O-Ring	1	Rubber

*Delrin® is a registered trademark of Dupont or its affiliates.