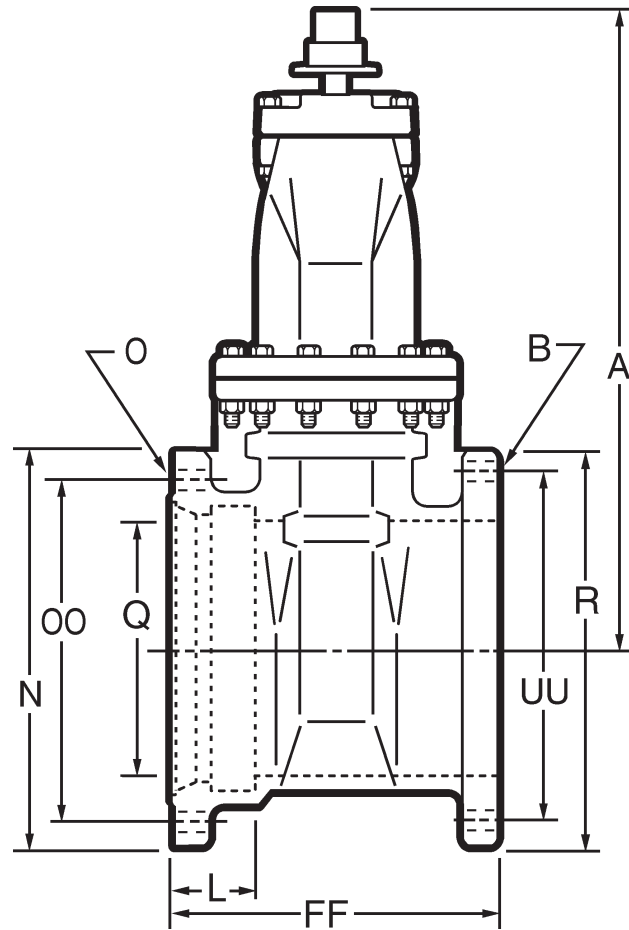


14"-48" A-USP1 D.I. RESILIENT WEDGE GATE VALVE - M.J. x F.L.



Dimensions

Dimension*	Nominal size									
	14"	16"	18"	20"	24"	30"†	36"†	42"†	48"†	
A	32.75	37.88	44.19	48.25	53.88	See A for Spur or Bevel Gear				
L	3.50	3.50	3.50	3.50	3.50	4.00	4.00	4.00	4.00	
N	20.25	22.56	24.76	27.25	31.51	39.53	46.41	53.53	60.41	
O (number and size of holes for MJ)	10--.88	12--.88	12--.88	14--.88	16--.88	20--1.125	24--1.125	28--1.38	32--1.38	
Q (bore)	14.38	16.00	18.38	20.38	24.38	30.38	36.38	42.38	48.38	
OO (bolt circle diameter for MJ)	18.75	21.00	23.25	25.50	30.00	36.88	43.75	50.62	57.50	
R	21.00	23.50	25.00	27.50	32.00	38.75	46.00	53.00	59.50	
UU (bolt circle diameter for FL)	18.75	21.25	22.75	25.00	29.50	36.00	42.75	49.50	56.00	
FF	17.41	17.91	19.25	19.75	21.75	29.75	33.75	40.38	43.79	
B (number and size of holes for FL)	12--1.12	16--1.12	16--1.25	20--1.25	20--1.38	28--1.38	32--1.63	36--1.63	44--1.63	
A - Spur Gear	38.50	43.58	49.41	53.01	59.51	70.81	83.08	97.84	109.70	
A - Bevel Gear**	34.00	37.38	44.50	47.69	54.06	64.93	77.19	90.75	102.61	
Turns to open (without gearing)	43.5	49	57	63	75	-	-	-	-	
Turns to open (Spur gearing)	178	201	234	258	308	381	455	524	596	
Turns to open (Bevel gearing)	198	221	257	284	338	372	444	524	596	
Weight*	655	875	1226	1500	2375	5100	8400	13300	19700	

*All dimensions are in inches. All weights are in pounds and are approximate. Weights for 30"-48" valves are with gearing; for all others without gearing.

**Center line of operating nut to center line of valve.

†Spur or Bevel Gear must be used with 30", 36", 42", 48" valves.