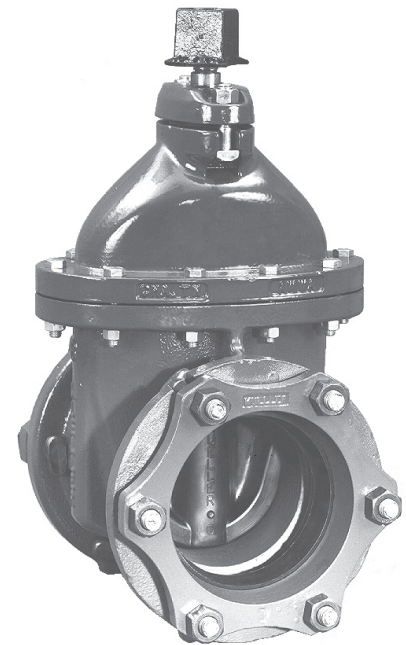


2"-12" A-USPO RESILIENT WEDGE GATE VALVES - M.J. x M.J.



- ❑ Catalog number–
 - A-USP0-20 Mechanical joint ends (with accessories unassembled)
 - A-USP0-23 Mechanical joint ends (less accessories)
 - A-USP0-25 Mechanical joint ends (with transition gaskets accessories unassembled)
- ❑ Sizes – 2", 3", 4", 6", 8", 10", 12"
- ❑ Meets or exceeds all applicable requirements of ANSI/AWWA C509 Standard, UL Listed, FM Approved, and certified to ANSI/NSF 61.
- ❑ Standard mechanical joint ends comply with ANSI/AWWA C111
- ❑ Iron body with nominal 10 mils fusion epoxy coating interior and exterior surfaces
- ❑ Epoxy coating meets or exceeds all applicable requirements of ANSI/AWWA C550 Standard and is certified to ANSI/NSF 61
- ❑ Iron wedge, symmetrical & fully encapsulated with molded rubber; no exposed iron
- ❑ Non-rising stem (NRS)
- ❑ Triple O-ring seal stuffing box (2 upper & 1 lower O-rings), with fourth O-ring serving as dirt seal††
- ❑ 2" square wrench nut (optional handwheel available) – open left or open right
- ❑ Stainless steel type 304 standard material for bonnet and stuffing box bolts and nuts, and wrench nut cap screw.
- ❑ 250 psig (1723 kPa) maximum working pressure, 500 psig (3447 kPa) static test pressure
- ❑ 3"-12" sizes – UL Listed, FM Approved: 200 psig (1379 kPa)

††Dirt seal on 4"-12" valves



A-USP0-20

M.J. accessories shipped unassembled

Options

See page 26 for more information on Resilient Wedge Gate Valve options

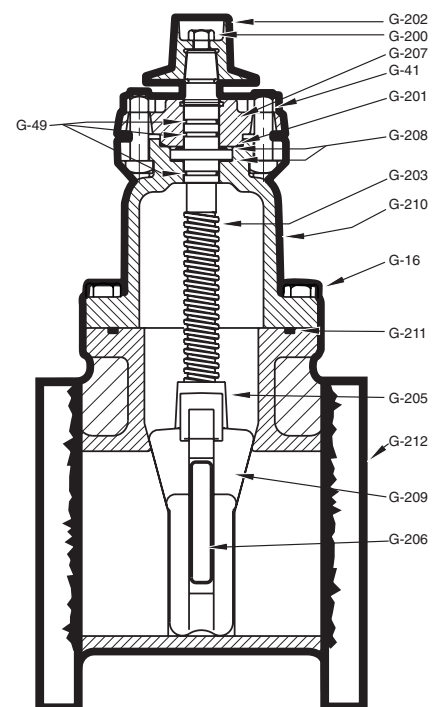
- ❑ Position indicators
- ❑ Stainless steel fasteners: Type 316
- ❑ ASTM B98-C66100/H02 stem
- ❑ Handwheel

Resilient wedge gate valve parts

Catalog Part No.	Description	Material	Material standard
G-16	Bonnet Bolts & Nuts	Stainless Steel	Type 304
G-41	Stuffing Box Bolts & Nuts	Stainless Steel	Type 304
G-49	Stem O-rings (3)	Rubber	
G-200	Wrench Nut Cap Screw	Stainless Steel	Type 304
G-201	Stuffing Box Seal	Rubber	
G-202	Wrench Nut	Cast Iron	ASTM A126 CL.B
G-203	Stem	Bronze	ASTM B138
G-204	Hand Wheel (not shown)	Cast Iron	ASTM A126 CL.B
G-205	Stem Nut	Bronze	ASTM B62
G-206	Guide Cap Bearings	Celcon	
G-207	Stuffing Box with dirt seal††	Cast iron Rubber	ASTM A126 CL.B --
G-208	Anti-friction Washers (2)	Celcon	
G-209	Wedge, Rubber Encapsulation	Cast Iron* SBR	ASTM A126 CL.B --
G-210	Bonnet	Cast Iron	ASTM A126 CL.B
G-211	Bonnet O-ring	Nitrile	
G-212	Body	Cast Iron	ASTM A126 CL.B

* Fully encapsulated in molded rubber with no iron exposed

††Dirt seal on 4"-12" valves



SEE PAGE 27 FOR ORDERING INSTRUCTIONS