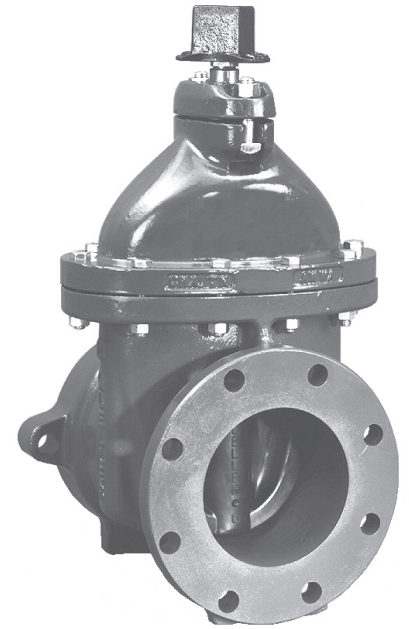


4"-12" A-USPO RESILIENT WEDGE GATE VALVES - SL. x FL.



- Catalog number–
A-USPO-41 Slip-on end (with gasket) x flange end
A-USPO-43 Slip-on end (less gasket) x flange end
- Sizes – 4", 6", 8", 10", 12"
- Meets or exceeds all applicable requirements of ANSI/AWWA C509 Standard, UL Listed, FM Approved, and certified to ANSI/NSF 61.
- Slip-on ends fit plain end of classes 150, 200 and 250 cast iron, ductile iron and classes 150 and 200 cast iron O.D. PVC
- Flange end dimensions and drilling comply with ANSI B16.1, class 125
- Iron body with nominal 10 mils fusion epoxy coating interior and exterior surfaces
- Epoxy coating meets or exceeds all applicable requirements of ANSI/AWWA C550 Standard and is certified to ANSI/NSF 61
- Iron wedge, symmetrical & fully encapsulated with molded rubber;
no exposed iron
- Non-rising stem (NRS)
- Triple O-ring seal stuffing box (2 upper & 1 lower O-rings), with fourth O-ring serving as dirt seal
- 2" square wrench nut (optional handwheel available) – open left or open right
- Stainless steel type 304 standard material for bonnet and stuffing box bolts and nuts, and wrench nut cap screw.
- 250 psig (1723 kPa) maximum working pressure,
500 psig (3447 kPa) static test pressure
- UL Listed, FM Approved: 200 psig (1379 kPa)



A-USPO-41

Options

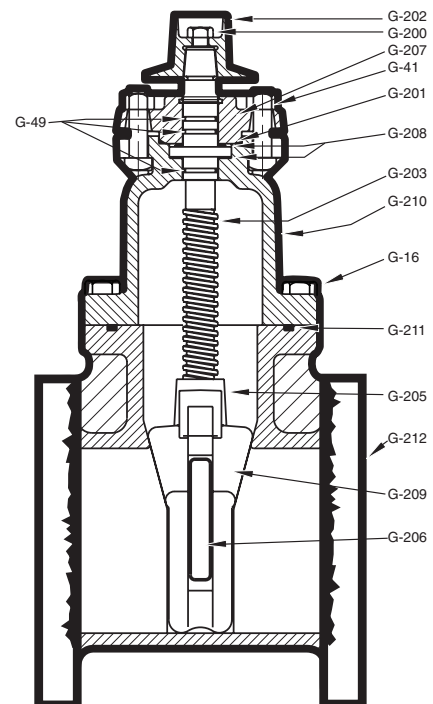
See page 26 for more information on Resilient Wedge Gate Valve options

- Position indicators
- Stainless steel fasteners: Type 316
- ASTM B98-C66100/H02 stem
- Handwheel

Resilient wedge gate valve parts

Catalog Part No.	Description	Material	Material standard
G-16	Bonnet Bolts & Nuts	Stainless Steel	Type 304
G-41	Stuffing Box Bolts & Nuts	Stainless Steel	Type 304
G-49	Stem O-rings (3)	Rubber	
G-200	Wrench Nut Cap Screw	Stainless Steel	Type 304
G-201	Stuffing Box Seal	Rubber	
G-202	Wrench Nut	Cast Iron	ASTM A126 CL.B
G-203	Stem	Bronze	ASTM B138
G-204	Hand Wheel (not shown)	Cast Iron	ASTM A126 CL.B
G-205	Stem Nut	Bronze	ASTM B62
G-206	Guide Cap Bearings	Celcon	
G-207	Stuffing Box with dirt seal	Cast iron Rubber	ASTM A126 CL.B --
G-208	Anti-friction Washers (2)	Celcon	
G-209	Wedge, Rubber Encapsulation	Cast Iron* SBR	ASTM A126 CL.B --
G-210	Bonnet	Cast Iron	ASTM A126 CL.B
G-211	Bonnet O-ring	Nitrile	
G-212	Body	Cast Iron	ASTM A126 CL.B

* Fully encapsulated in molded rubber with no iron exposed



SEE PAGE 27 FOR ORDERING INSTRUCTIONS