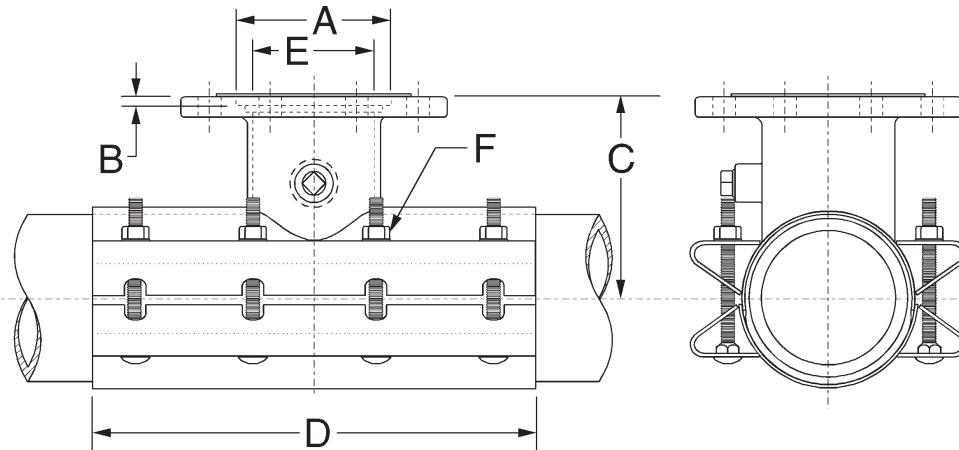


STAINLESS STEEL TAPPING SLEEVE

4" - 24"



Nominal size		Dimension*					Bolts per side
		Outlet flange		Sleeve			
Main	Outlet	A	B	C	D	E	F
4"	4"	5.0315	.25	7.00	15	4.50	4
6"	4"	5.0315	.25	7.50	15	4.50	4
6"	6"	7.0315	.31	8.00	15	6.50	4
8"	4"	5.0315	.25	8.50	15	4.50	4
8"	6"	7.0315	.31	9.00	15	6.50	4
8"	8"	9.0315	.31	9.50	18	8.50	6
10"	4"	5.0315	.25	10.00	15	4.50	4
10"	6"	7.0315	.31	10.50	15	6.50	4
10"	8"	9.0315	.31	11.00	18	8.50	6
10"	10"	11.0315	.31	11.50	24	10.50	8
12"	4"	5.0315	.25	12.00	15	4.50	4
12"	6"	7.0315	.31	12.00	15	6.50	4
12"	8"	9.0315	.31	12.00	18	8.50	6
12"	10"	11.0315	.31	12.00	24	10.50	8
12"	12"	13.0315	.31	12.00	30	12.50	8
14"	4"	5.0315	.25	13.63	15	4.50	4
14"	6"	7.0315	.31	13.63	15	6.50	4
14"	8"	9.0315	.31	13.63	18	8.50	6
14"	10"	11.0315	.31	13.63	24	10.50	8
14"	12"	13.0315	.31	13.63	30	12.50	8
16"	4"	5.0315	.25	14.59	15	4.50	4
16"	6"	7.0315	.31	14.59	15	6.50	4
16"	8"	9.0315	.31	14.59	18	8.50	6
16"	10"	11.0315	.31	14.59	24	10.50	8
16"	12"	13.0315	.31	14.59	30	12.50	8
18"	4"	5.0315	.25	16.00	15	4.50	4
18"	6"	7.0315	.31	16.00	15	6.50	4
18"	8"	9.0315	.31	16.00	18	8.50	6
18"	10"	11.0315	.31	16.00	24	10.50	8
18"	12"	13.0315	.31	16.00	30	12.50	8
20"	4"	5.0315	.25	16.88	15	4.50	4
20"	6"	7.0315	.31	16.88	15	6.50	4
20"	8"	9.0315	.31	16.88	18	8.50	6
20"	10"	11.0315	.31	16.88	24	10.50	8
20"	12"	13.0315	.31	16.88	30	12.50	8
24"	4"	5.0315	.25	19.00	24	4.50	8
24"	6"	7.0315	.31	19.00	24	6.50	8
24"	8"	9.0315	.31	19.00	24	8.50	8
24"	10"	11.0315	.31	19.00	24	10.50	8
24"	12"	13.0315	.31	19.00	30	12.50	10

* All dimensions are in inches.