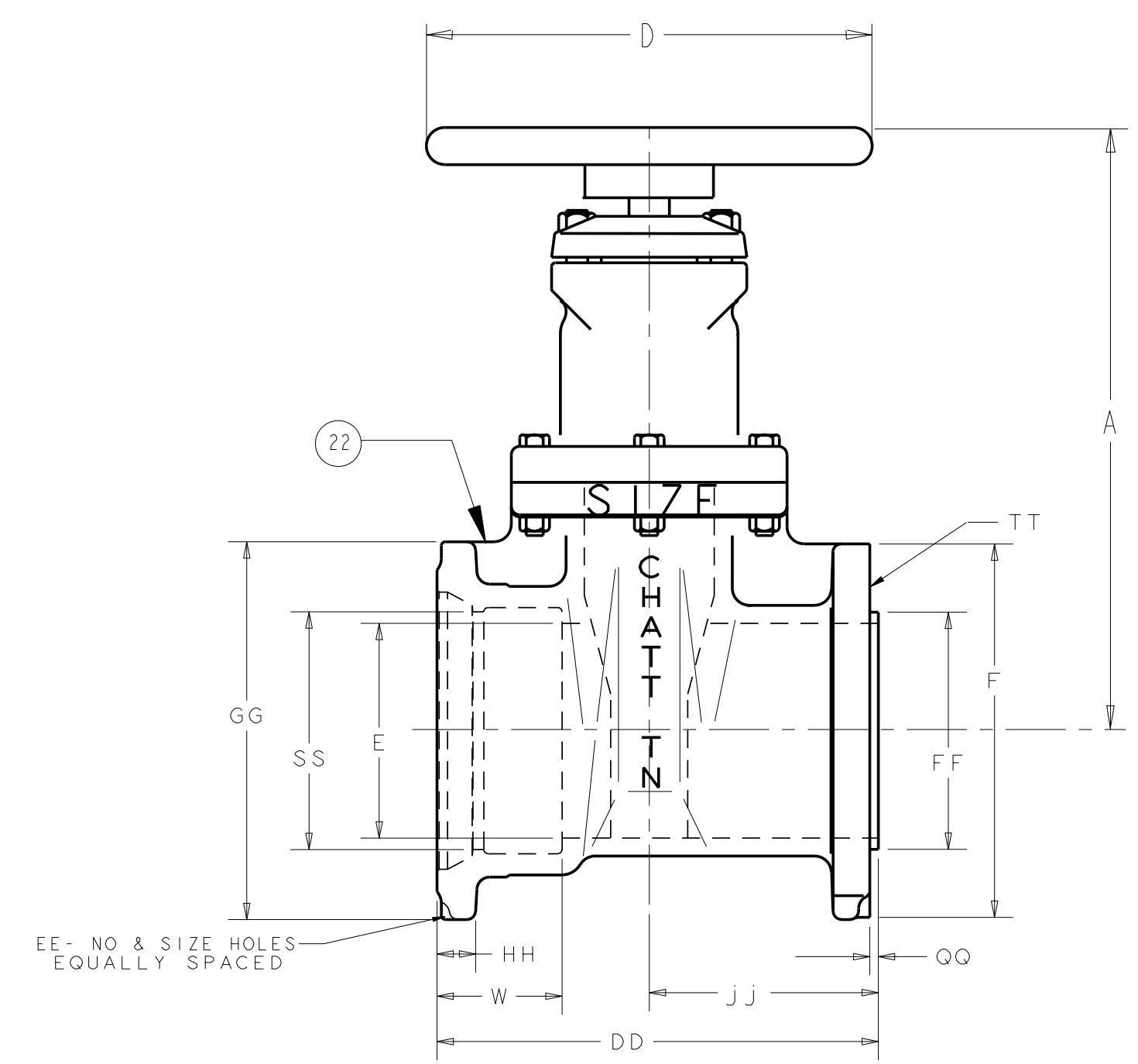
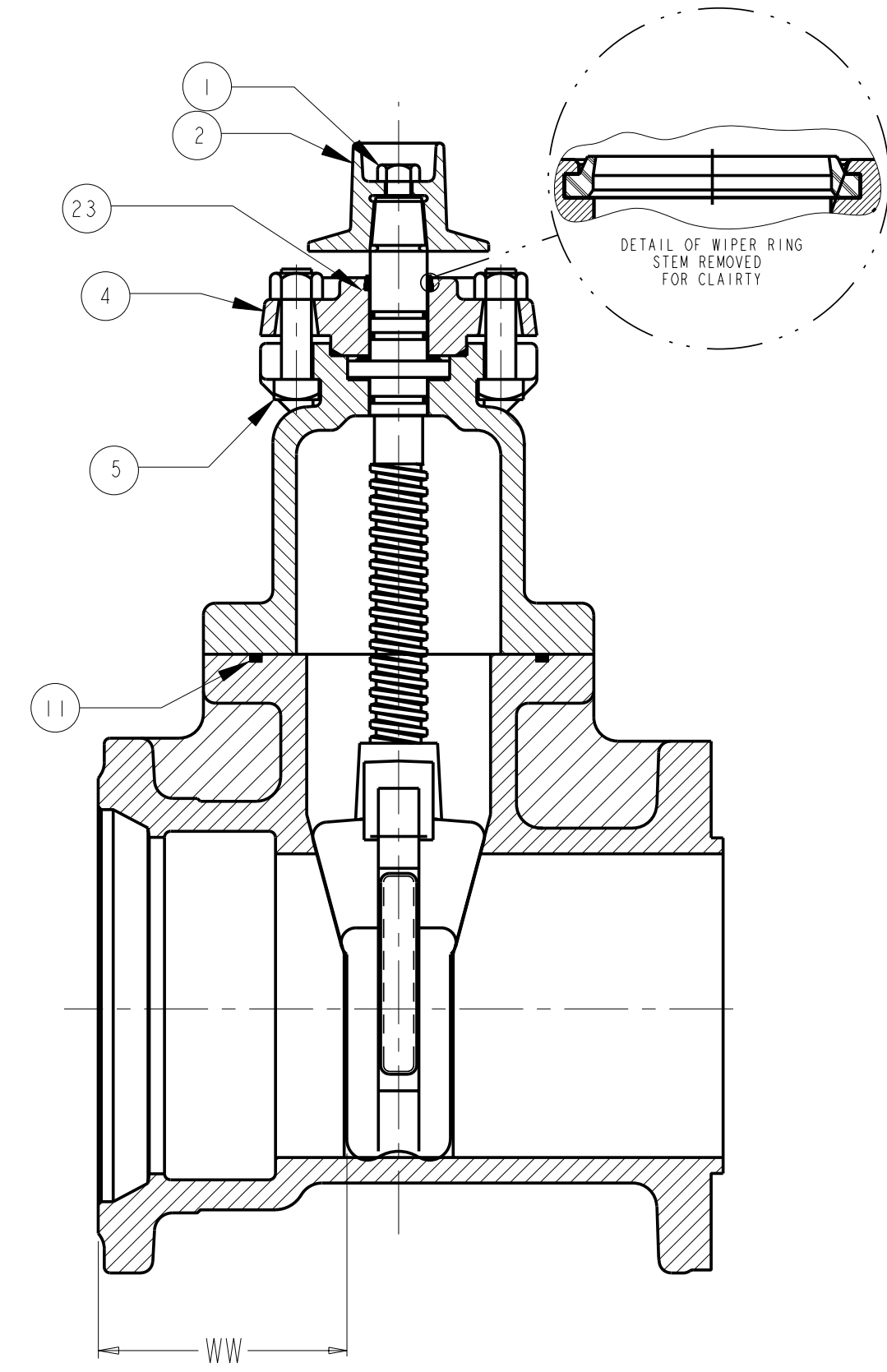
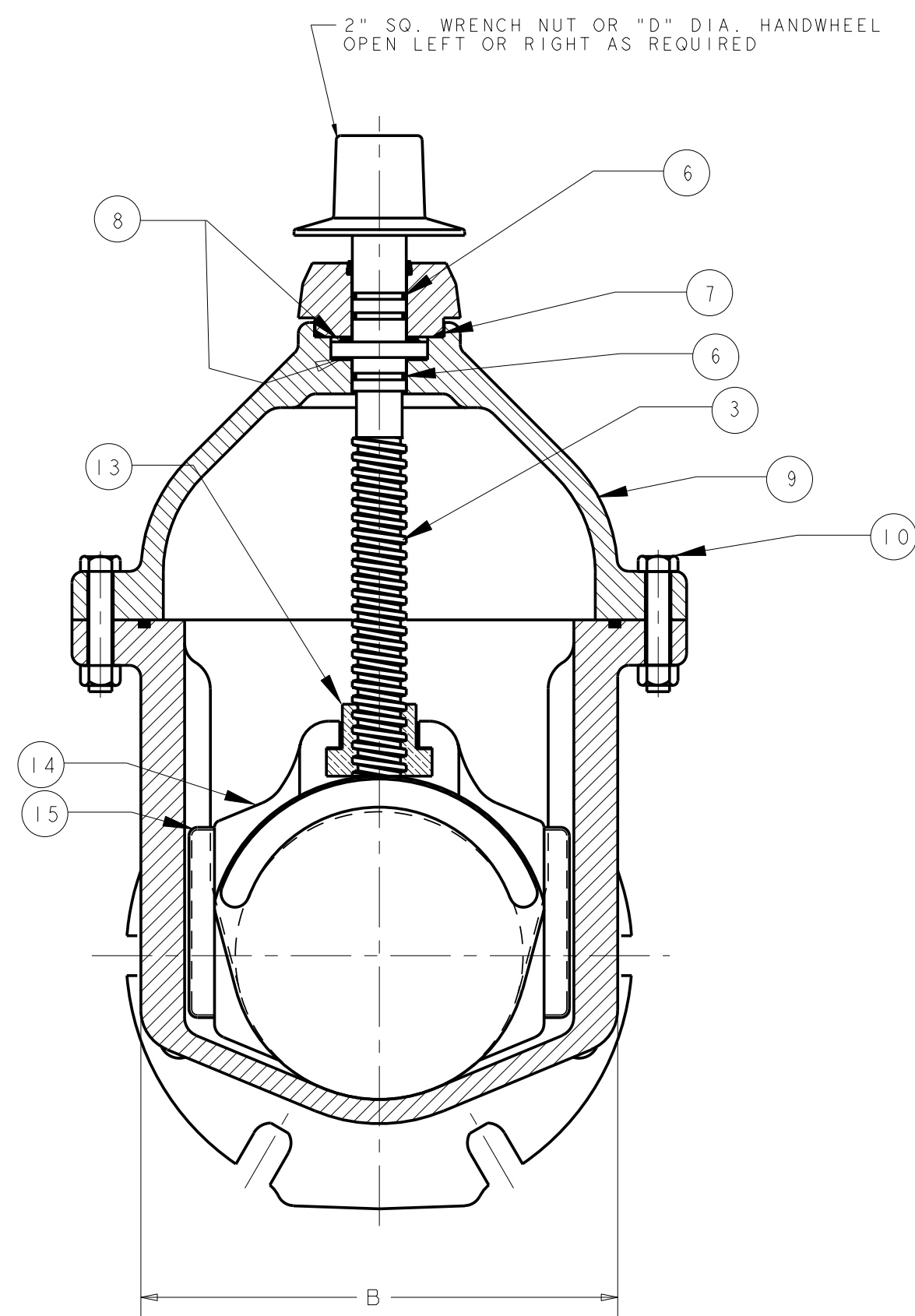


PART LIST					
ITEM	DESCRIPTION	REQ'D	MATERIAL	ASTM	
1	CAP SCREW	1	304 STAINLESS STEEL	A193	GRADE B8
2	WRENCH NUT	1	CAST IRON	A126	CLASS B
3	STEM	1	BRONZE	B138	ALLOY C67600
4	STUFFING BOX	1	CAST IRON	A126	CLASS B
5	STUFFING BOX BOLT STUFFING BOX NUT	2	304 STAINLESS STEEL 304 STAINLESS STEEL	A193 F594	GRADE B8 GROUP 1
6	O-RING	3	RUBBER	D2000	NITRILE
7	O-RING	1	RUBBER	D2000	NITRILE
8	ANTI-FRICTION WASHER	2	CELCON		
9	BONNET	1	CAST IRON	A126	
10	BONNET BOLT BONNET NUT	"Z"	304 STAINLESS STEEL 304 STAINLESS STEEL	A193 F594	GRADE B8 GROUP 1
11	O-RING	1	RUBBER	D2000	NITRILE
13	DISC NUT	1	BRONZE	B62	ALLOY C83600
14	DISC	1	"*"		
15	GUIDE CAP	2	CELCON		
17	HANDWHEEL	1	CAST IRON	A126	CLASS B
22	BODY - MJ TAPPING	1	CAST IRON	A126	CLASS B
23	WIPER RING	1	RUBBER		

\* RUBBER ENCAPSULATED CAST IRON DISC  
 CAST IRON - ASTM - A126 - CLASS B  
 RUBBER - SBR - ASTM D2000



DIMENSIONS FOR RESILIENT WEDGE VALVE - INCHES																			
VALVE SIZE	A	B	C	D	E	F	Z	DD	EE	FF	GG	HH	JJ	QQ	SS	TT	VV	WW	URNS TO OPEN
4	14.19	8.19	10.81	11.00	4.30	9.00	4	11.91	4 - .88	5.00	9.12	1.12	6.24	0.18	4.80	8 - .75	3.17	4.47	14
6	18.00	10.50	13.50	13.00	6.30	11.00	6	13.00	6 - .88	7.00	11.12	1.18	6.75	0.25	6.90	8 - .88	2.88	4.91	20.5
8	21.50	13.12	16.38	14.00	8.30	13.50	6	14.75	6 - .88	9.00	13.38	1.25	7.50	0.25	9.05	8 - .88	3.21	5.46	26.5
10	25.50	16.48	19.92	16.00	10.30	16.00	8	15.80	8 - .88	11.00	15.68	1.25	8.44	0.25	11.10	12 - 1.0	2.48	5.93	33
12	28.62	16.75	21.00	16.00	12.30	19.00	8	15.24	8 - .88	13.00	17.94	1.38	7.25	0.25	13.20	12 - 1.0	2.88	6.15	38.5

DR BY: CAP	08/13/99	UNLESS OTHERWISE NOTED	THIRD ANGLE PROJECTION	C.D. NO.
CHKD: JLC	08/16/99	BREAK CAST CORNERS!		PART. NO.
ENGR: RWV	08/16/99	BREAK MACH CORNERS!		
MFR:		TOLERANCES	PURCH. NO.	FINISH ASSY
MFG:		UNLESS OTHERWISE NOTED	REF. NO.	SCALE
TOOL:		L INEAR		NONE
FBRY:		ANGULAR		
		±	STR. NO.	

MAT'L	NOTED	DESCR.	4" - 12" RWTU TUSPO	NUMBER
			NRS - AWWA - 250W - 500 TEST	U6652
			UL/FM 200W - 400 TEST	

U6652

ECO 1365693