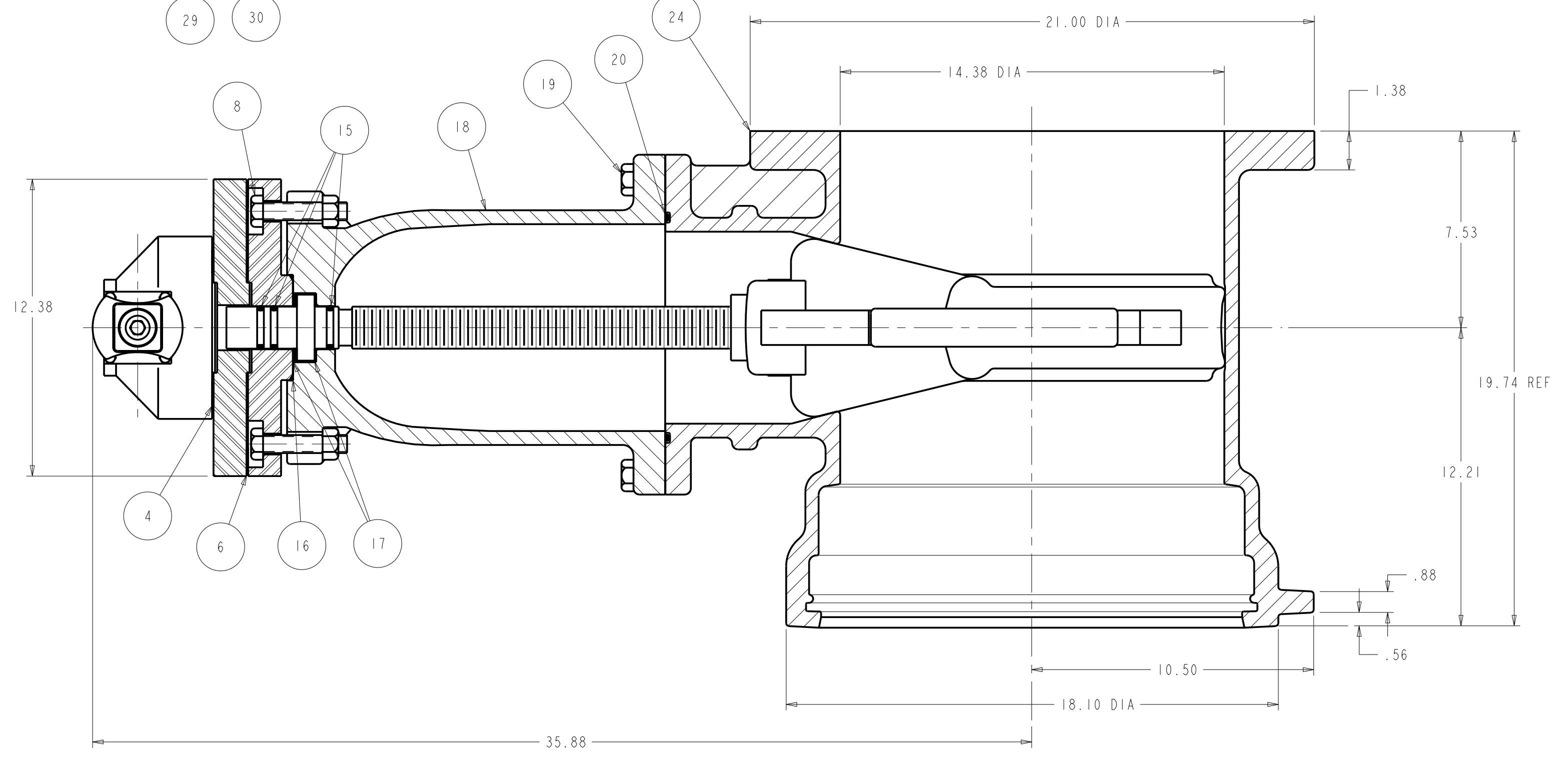


SLIP-ON ENDS BODY



PARTS LIST - GEARED VALVE

ITEM	DESCRIPTION	REQ'D	MATERIAL	ASTM	
1	CAP SCREW	1	STEEL	A307	GRADE B ZINC PLATED
2	WRENCH NUT	1	CAST IRON	A126	CLASS B
3	VALVE ACTUATOR	1			
4	ACTUATOR GASKET	1	NEOPRENE	D2000	R51
5	ADAPTER	1	STEEL	A36	
6	STUFFING BOX GASKET	1	NEOPRENE	D2000	R51
7	STUFFING BOX	1	STEEL	A36	
8	HEX HEAD BOLT	2	STEEL	A307	GRADE B ZINC PLATED
10	DRIVE SLEEVE	1	*		
11	KEY	1	STEEL		
12	STEM	1	BRONZE	**	
13	SOCKET HD. CAP SCREW	4	STEEL	A307	GRADE B ZINC PLATED
14	HEX HEAD BOLT	4	STEEL	A307	GRADE B ZINC PLATED
15	"O" RING	3	RUBBER	D2000	R34
16	"O" RING	1	RUBBER	D2000	R34
17	ANTI-FRICTION WASHER	2	BRASS		
18	BONNET	1	DUCTILE IRON	A536	65-45-12
19	Ⓐ HEX BOLT HEX NUT	12 12	STEEL STEEL	J429 F593	304SS 304SS
20	"O" RING	1	RUBBER	D2000	R34
21	DISC NUT	1	BRONZE	B62	
22	DISC	1	***		
23	GUIDE CAP	2	CELCON		M90
24	FLG X SLIP-ON BODY	1	DUCTILE IRON	A536	65-45-12
25	SLIP-ON BODY	1	DUCTILE IRON	A536	65-45-12
31	EYE BOLT	2	STEEL		ANSI B18.15
32	HEX NUT	2	STEEL	A307	GRADE B ZINC PLATED

PARTS LIST NON-GEARED VALVE

27	CAP SCREW	1	STEEL	A307	GRADE B ZINC PLATED
28	WRENCH NUT	1	CAST IRON	A126	CLASS B
29	STEM	1	BRONZE	*	
30	STUFFING BOX	1	DUCTILE IRON	A536	65-45-12

NOTE:
ITEM NOS. 27 - 30 REPLACE ITEMS NOS. 1 - 7 & 9 - 14 FOR NON-GEARED VALVE.

- * SUPPLIED W/ACTUATOR BUT FINISHED BY FOUNDRY
- ** ASTM B138 ALLOY 675 W/ADDED LEAD FOR MACHINABILITY
- *** RUBBER ENCAPSULATED DUCTILE IRON DISC
DUCTILE IRON - ASTM A536 (65-45-12)
RUBBER - RUBBER SPEC R88

DR BY	CAP	11/09/05	UNLESS OTHERWISE NOTED	THIRD ANGLE PROJECTION	C.D. NO.
CHKD	PSG	11/09/05	BREAK CAST CORNERS!		PART. NO.
ENGR	RWV	11/09/05	BREAK MACH CORNERS!		
MFR			TOLERANCES	PURCH. NO.	FINISH ASSY.
MFG			UNLESS OTHERWISE NOTED	REF. NO.	SCALE
TOOL			L INEAR	ANGULAR	NONE
FBRY			±	±	STR. NO.

MAT'L NOTED	UNITS STATES FIRE AND FOUNDRY CO. CHATTANOOGA TENNESSEE	DESER. 1 1/4" RWGV SLIP-ON ENDS OR FLG. X SLIP-ON ENDS W/ OR W/OUT BEVEL GEARING	NUMBER U6663
-------------	--	---	-----------------

U6663

ECO 1370661
ADDED HEX NUT
ROW TO TABLE
GPD 11/23/05