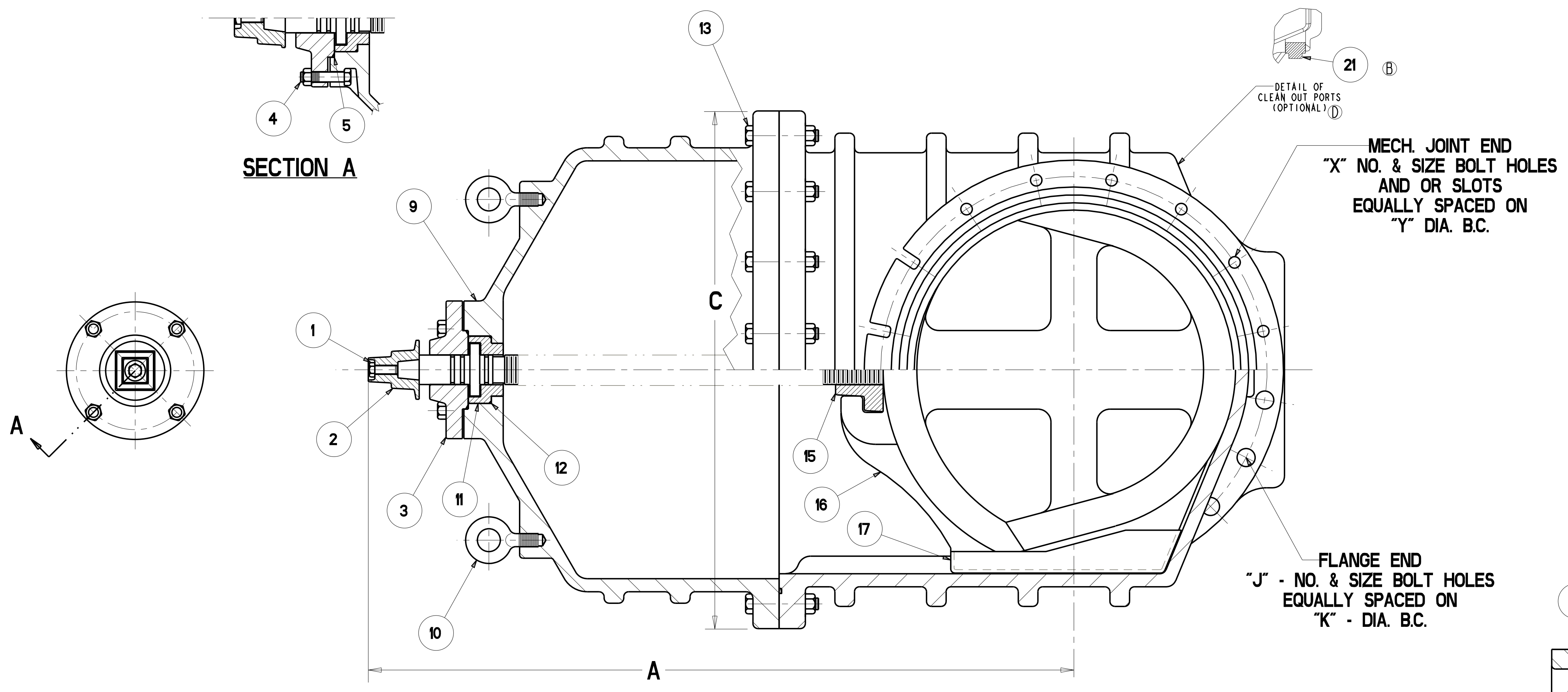


PARTS LIST

4	HEX BOLT & NUT	"AA"	STEEL	A307	SEE NOTE 3	
5	O-RING	1	RUBBER	D2000	EPDM	(A)
6	STEM	1			SEE NOTE 1	
7	O-RING	3	RUBBER	D2000	EPDM	(A)
8	WASHER	2	BRASS			
9	BONNET	1	DUCTILE IRON	A536	GR. 65-45-12	
10	EYEBOLT	2	STEEL		GALVANIZED	
11	BONNET BUSHING	1	BRONZE	B62	SEE NOTE 5	(A)
12	O-RING	1	RUBBER	D2000	EPDM	(A)
13	HEX BOLT & NUT	"L"	STEEL	A307	SEE NOTE 3	(A)
14	O-RING	1	RUBBER	D2000	EPDM	(A)
15	DISC NUT	1	BRONZE	B62		
16	DISC	1			SEE NOTE 2	
17	GUIDE CAP	2	CELCON		M90	
18	BODY FL x MJ	1	DUCTILE IRON	A536	GR. 65-45-12	
19	BODY MJ x MJ	1	DUCTILE IRON	A536	GR. 65-45-12	
20	BODY FL x FL	1	DUCTILE IRON	A536	GR. 65-45-12	
21	PIPE PLUG	2	SUPPLIED WHEN TAPPED			

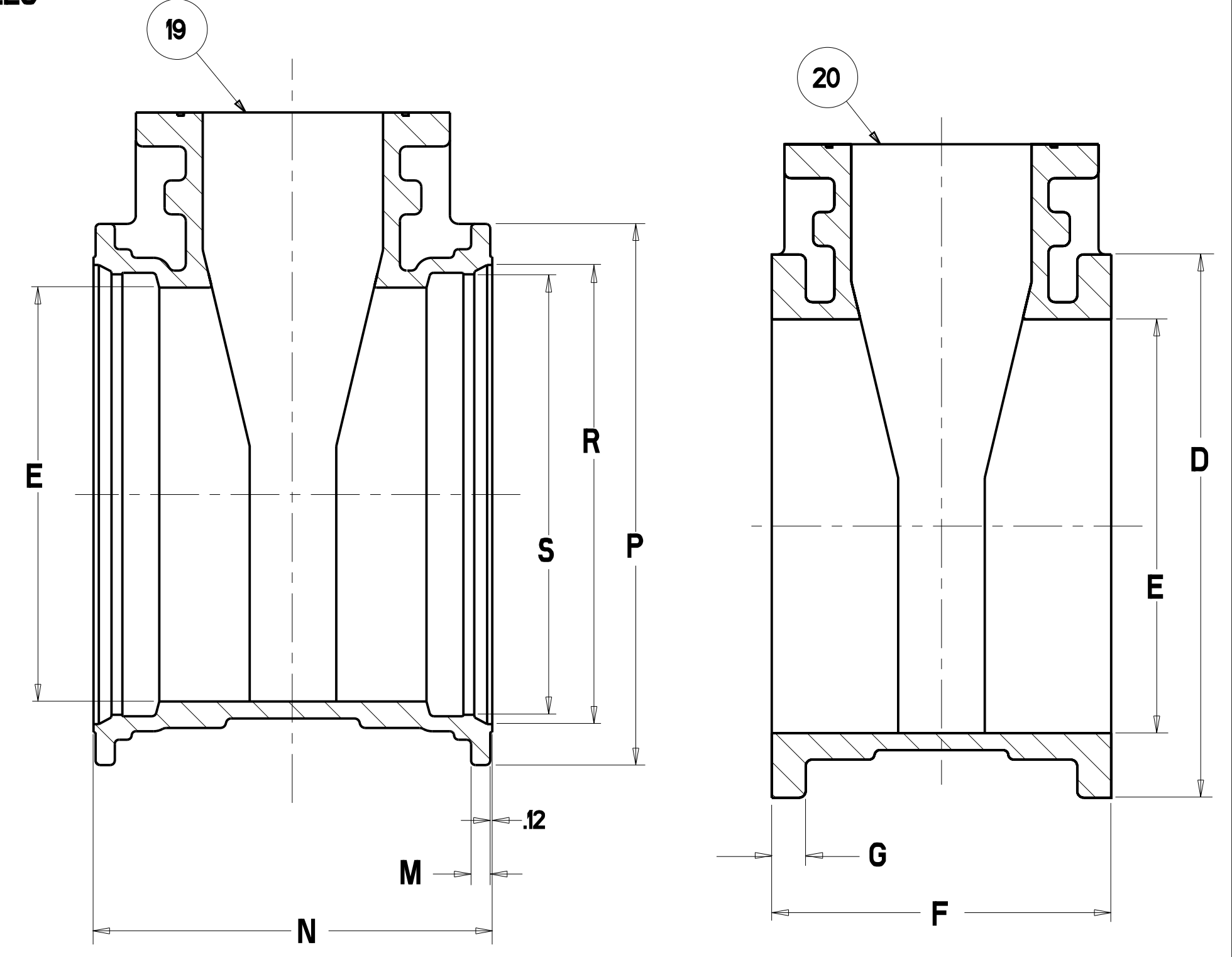
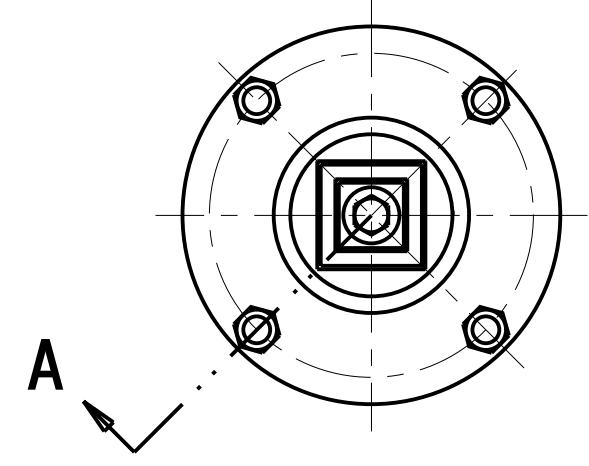
- NOTES:
- 1) 16" TO 24" VALVES - BRONZE ASTM B584 ALLOY 86400 OR 86500
 - 2) RUBBER ENCAPSULATED DUCTILE IRON DISC
RUBBER - 16" SBR & 18"-24" EPDM ASTM D2000
DUCTILE IRON ASTM A536 GRADE 65-45-12
 - 3) BOLTS ARE - SAE J429 GRADE 2
NUTS - ASTM A563 GRADE B
FASTENERS - PLATED TO ASTM F1941 CLASS Fe/Zn 12C
 - 4) MANUFACTURER'S OPTION TO UPGRADE MATERIAL TO DUCTILE IRON A536 GRADE 65-45-12
 - 5) 16 IN. VALVES DO NOT HAVE A BONNET BUSHING

SECTION A



MECH. JOINT END
"X" NO. & SIZE BOLT HOLES
AND OR SLOTS
EQUALLY SPACED ON
"Y" DIA. B.C.

FLANGE END
"J" - NO. & SIZE BOLT HOLES
EQUALLY SPACED ON
"K" - DIA. B.C.



2" SQUARE WRENCH NUT OR
"Z" DIA. HANDWHEEL OPEN LEFT
OR RIGHT AS REQUIRED

VALVE SIZE	A	C	D	E	F	G	H	J	K	L	M	N	P	R	S	W	X	Y	Z	AA	URNS TO OPEN
16	37.88	26.58	23.50	16.00	16.06	159	8.03	16 - 112	21.25	12	150	19.75	22.56	18.40	17.28	17.91	8 - .88	21.00	18.00	2	49
18	44.19	30.50	25.00	18.38	17.00	169	8.50	16 - 125	22.75	12	150 (A)	21.00	24.88	20.74	19.64	19.00	12 - .88	23.25	18.00	4	57
20	48.25	33.75 (A)	27.50	20.38	18.00	178 (A)	9.00	20 - 125	25.00	12	160 (A)	21.50	27.25	22.84	21.74 (A)	19.75	14 - .88	25.50	20.00	4	63
24	53.88	39.50	32.00	24.38	20.00	200	10.00	20 - 138	29.50	16	112	23.50	31.88	27.05	25.94	21.75	16 - .88	30.00	30.00	4	75

ECO 1411371 CHANGED O-RING AND DISC MATERIAL TO EPDM 1.78 WAS 1.75, 21.74 WAS 21.75, 33.75 WAS 33.00 ADDED NOTES KME 12/1/06

ECO 1456413 ADDED MANUFACTURER'S OPTION ADDED DETAIL VIEW & ITEM 21 CAP 12/17/07

ECO 1481715 ADDED 16 IN. DIMENSIONS REMOVED NOTE "SIZES 24" AND GREATER" H D 7/29/09

ECO 1538443 ADDED 16" SBR TO NOTE 2 JAB 05/27/10

CAP	11/4/05		
PSD	11/4/05		
RWV	11/4/05		
NOTED			
16"-24" RWGV'S FL x FL, MJ x MJ & FL x MJ			

U671