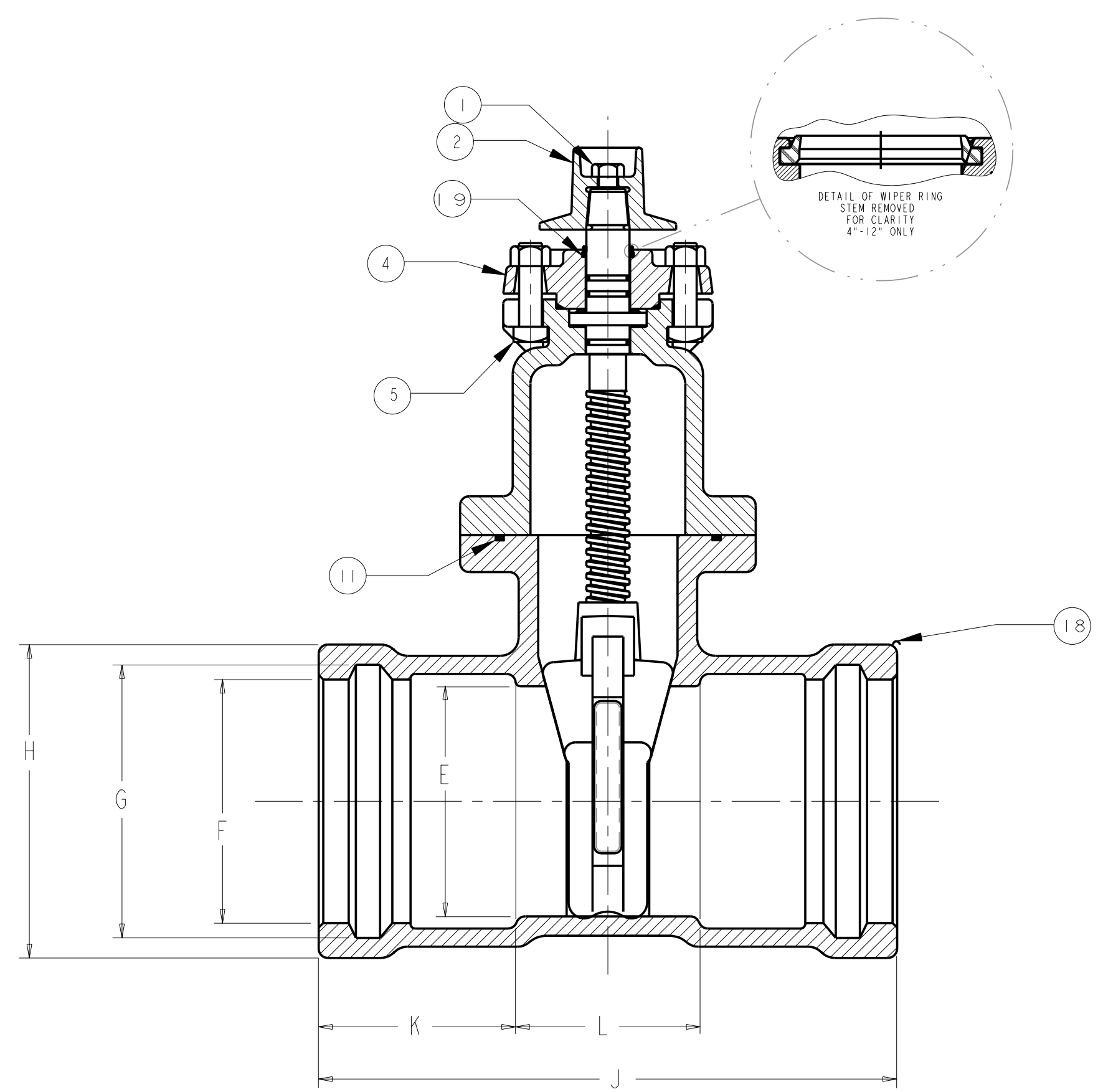
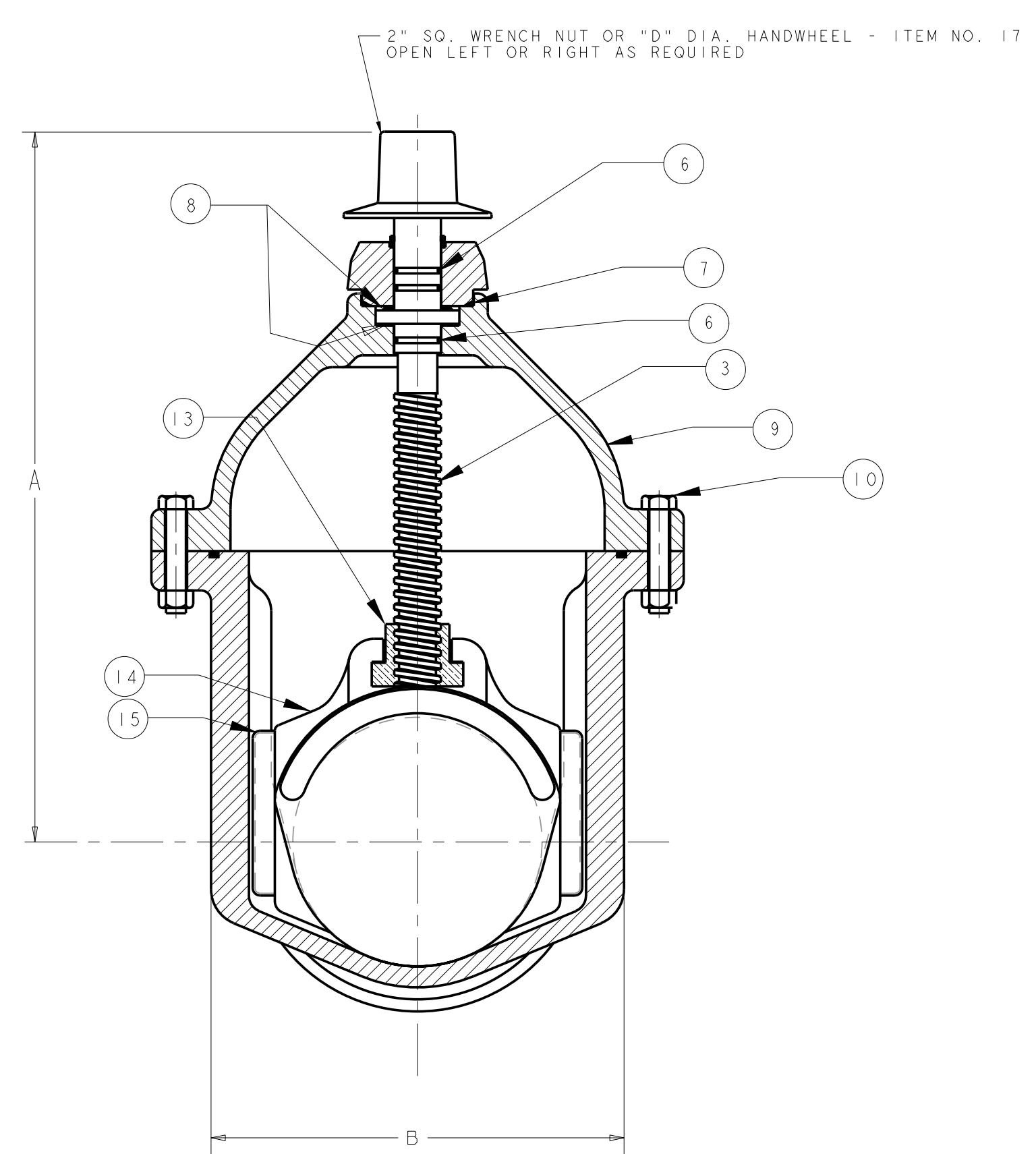
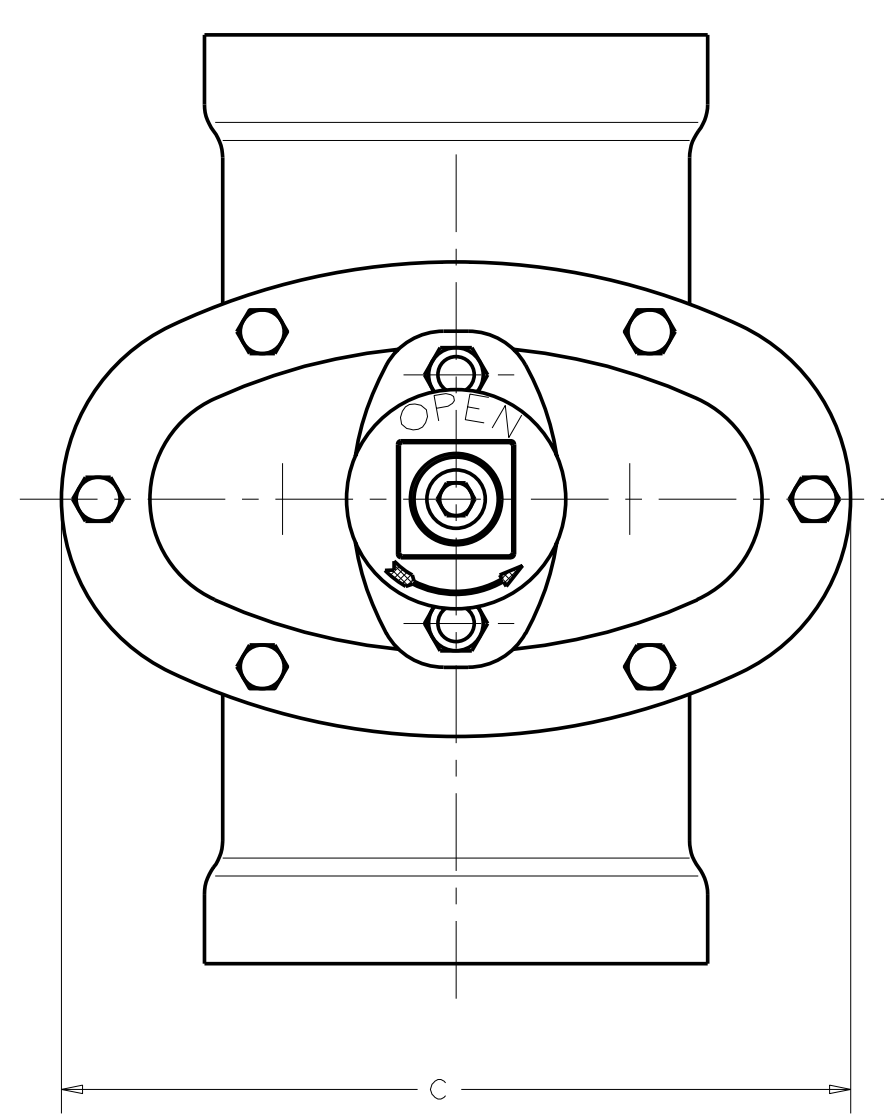


4 IN - 8 IN A-USPO-37 RESILIENT WEDGE GATE VALVE - W/RADIAL COMPRESSION ENDS



ITEM	DESCRIPTION	REQ'D	MATERIAL	ASTM	
1	CAP SCREW	1 (A)	304 STAINLESS STEEL	A193	GRADE B8
2	WRENCH NUT	1	CAST IRON	A126	CLASS B
3	STEM	1	BRONZE	B138	ALLOY C67600
4	STUFFING BOX	1	CAST IRON	A126	CLASS B
5	STUFFING BOX BOLT STUBBING BOX NUT	2 (A)	304 STAINLESS STEEL 304 STAINLESS STEEL	A193 F594	GRADE B8 GROUP 1
6	O-RING	3	RUBBER	D2000	NITRILE
7	O-RING	1	RUBBER	D2000	NITRILE
8	ANTI-FRICTION WASHER	2	CELCON		
9	BONNET	1	CAST IRON	A126	CLASS B
10	BONNET BOLT BONNET NUT	"M" (A)	304 STAINLESS STEEL 304 STAINLESS STEEL	A193 F594	GRADE B8 GROUP 1
11	O-RING	1	RUBBER	D2000	NITRILE
13	DISC NUT	1	BRONZE	B62	ALLOY C83600
14	DISC	1	"*"		
15	GUIDE CAP	2	CELCON		
17	HANDWHEEL	1	CAST IRON	A126	CLASS B
18	BODY	1	CAST IRON	A126	CLASS B
(B) 19	WIPER RING	1	RUBBER		

* RUBBER ENCAPSULATED CAST IRON DISC
 CAST IRON - ASTM A126 - CLASS B
 RUBBER - S SBR - ASTM D2000

VALVE SIZE	A	B	C	D	E	F	G	H	J	K	L	M	TURNS TO OPEN
4	14.19	8.19	10.81	11.00	4.30	4.58	5.26	6.19	13.43	4.46	4.51	4	14
6	18.00	10.50	13.50	13.00	6.30	6.69	7.51	8.62	15.91	5.46	5.00	6	20.5
8	21.50	13.12	16.38	14.00	8.30	8.73	9.84	11.06	18.40	6.20	6.00	6	26.5

DR BY: CAP	11/14/05	UNLESS OTHERWISE NOTED	THIRD ANGLE PROJECTION	C.D. NO.
CHKD: PSG	11/14/05	BREAK CAST CORNERS!		PART. NO.
ENGR: RWV	11/14/05	BREAK MACH CORNERS!		
MFR:		TOLERANCES	PURCH: NO	FINISH: ASSY
MFG:		UNLESS OTHERWISE NOTED	REF. NO.	SCALE: NONE
TOOL:		LINEAR ±	ANGULAR ±	STR. NO.
FRY:				
MAT'L:		DESCR:		NUMBER:
UNITED STATES PIPE AND FOUNDRY CO. CHATTANOOGA TENNESSEE		4" - 8" RWGV AUSP037		U6713

U6713

ECO 1361992