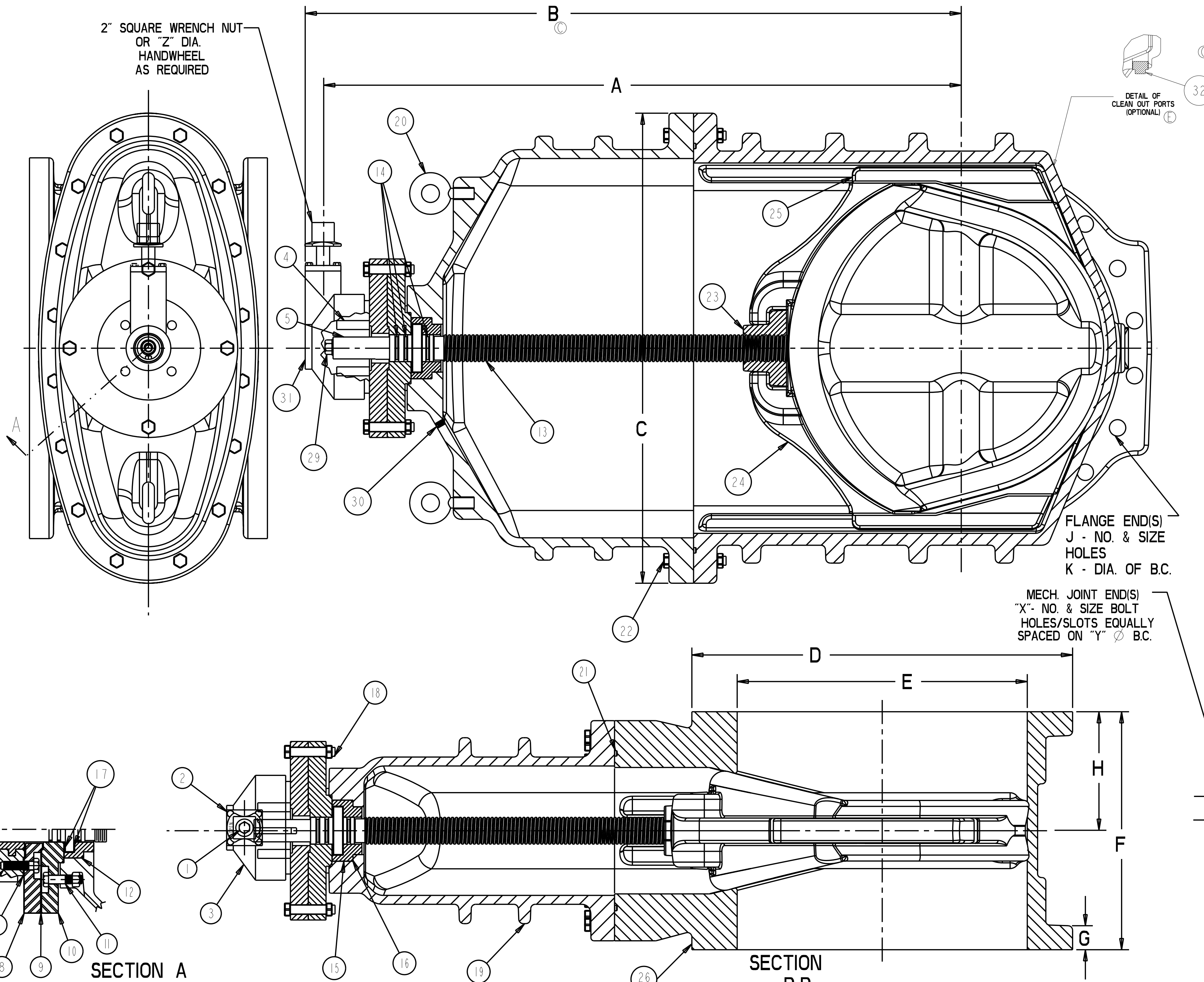
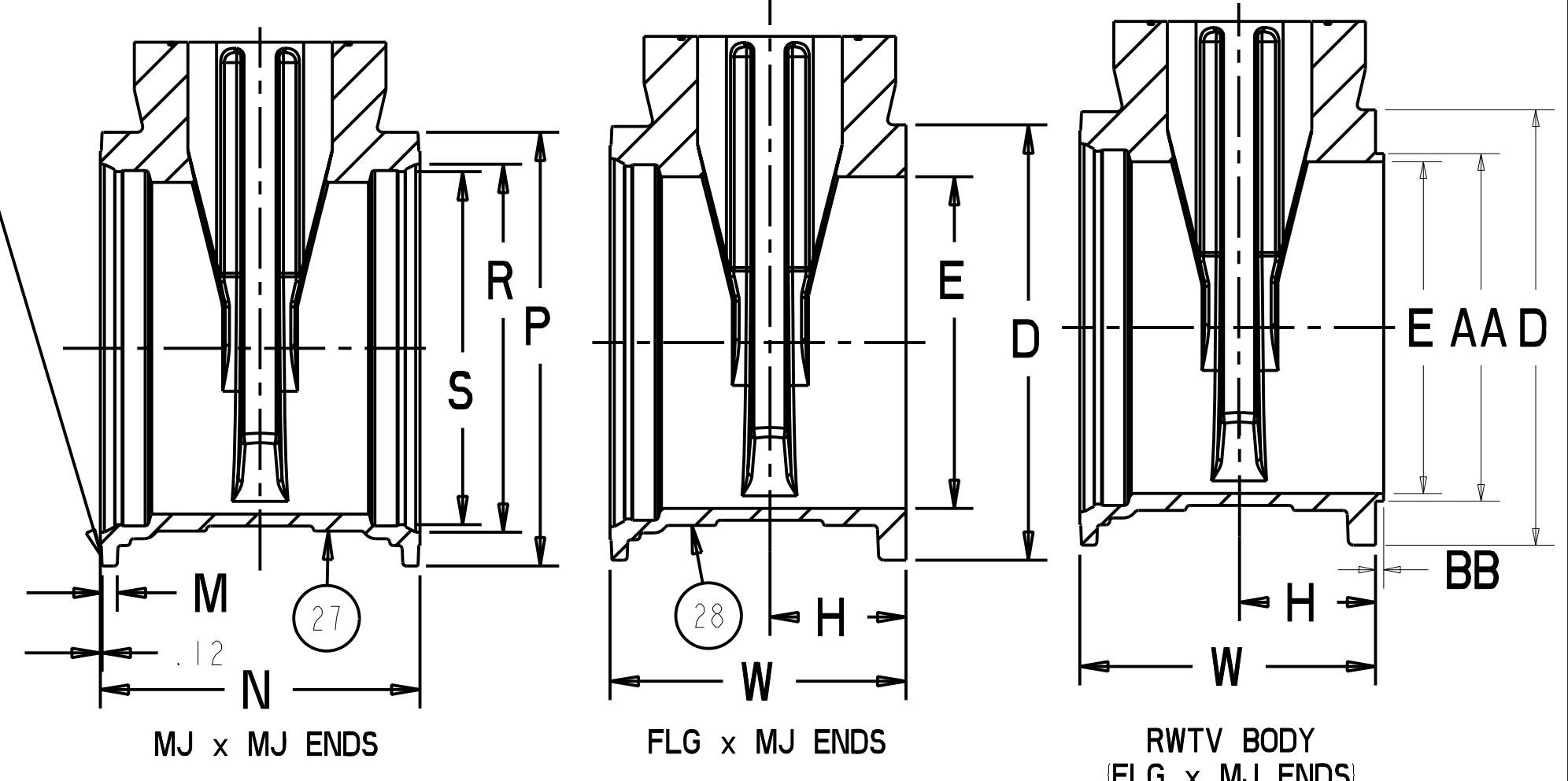


U6743 16"-36" RWGV & RWTV - BEVEL GEAR



PARTS LIST					
ITEM	DESCRIPTION	REQ'D	MATERIAL	ASTM	
1	CAP SCREW	1	STEEL		SEE NOTE 2
2	WRENCH NUT	1	CAST IRON [SEE NOTE 5]	A126	
3	BEVEL GEAR UNIT	1			SEE NOTE 3
4	STEM NUT	1	BRASS		
5	KEY	1	STEEL		
6	SOCKET HEAD SCREW	4	STEEL		SEE NOTE 2
7	GASKET	1	RUBBER	D2000	
8	ADAPTER	1	STEEL	A36	
9	GASKET	1	RUBBER	D2000	
10	STUFFING BOX	1	STEEL	A36	
11	SOCKET HEAD BOLT & NUT	4	STEEL		SEE NOTE 2
12	O-RING	1	RUBBER	D2000	R34 16" EPDM 18"-36"
13	STEM	1	BRONZE		SEE NOTE 4
14	O-RING	3	RUBBER	D2000	R34 16" EPDM 18"-36"
15	BONNET BUSHING	1	BRONZE	B62	18"-36" ONLY
16	O-RING	1	RUBBER	D2000	R34 16" EPDM 18"-36"
17	WASHER	2	BRASS		
18	HEX BOLT & NUT	4	STEEL		SEE NOTE 2
19	BONNET	1	DUCTILE IRON	A536	GR. 65-45-12
20	EYEBOLT	2	STEEL		GALVANIZED
21	O-RING	1	RUBBER	D2000	R34 16" EPDM 18"-36"
22	HEX BOLT & NUT	"L"	STEEL		SEE NOTE 2
23	DISC NUT	1	BRONZE	B62	
24	DISC	1			SEE NOTE 1
25	GUIDE CAP	2	CELCON		M90
26	BODY - FLG ENDS	1	DUCTILE IRON	A536	GR. 65-45-12
27	BODY - MJ ENDS	1	DUCTILE IRON	A536	GR. 65-45-12
28	BODY FLG X MJ ENDS	1	DUCTILE IRON	A536	GR. 65-45-12
29	HOLD-DOWN WASHER & BOLT	1	STEEL		SEE NOTE 2
30	PIPE PLUG	1	304 S. STEEL	A193	GRADE B8
31	ACTUATOR CAP PLUG	1	CAST IRON [SEE NOTE 5]		
32	PIPE PLUG	2	SUPPLIED WHEN TAPPED		



- NOTE:
- 1) RUBBER ENCAPSULATED DUCTILE IRON DISC
RUBBER - 16" SBR & 18-36" EPDM ASTM D2000
DUCTILE IRON ASTM A536 GRADE 65-45-12
 - 2) BOLTS - SAE J429 GRADE 2
NUTS - ASTM A563 GRADE B
FASTENERS - PLATED TO ASTM F1941 CLASS Fe/Zn 12C
 - 3) VALVES WILL BE FURNISHED WITH ONE OF THE LISTED OPERATORS AT THE MANUFACTURER'S DISCRETION.
16"-24" MASTERGEAR OR ROTORK
30" & 36" LIMITORQUE OR ROTORK
 - 4) 16" VALVE - BRONZE ALLOY ASTM B138 ALLOY 67600
18" TO 24" VALVES - BRONZE ASTM B584 ALLOY 86400 OR 86500
30" TO 48" VALVES - BRONZE ASTM B584 ALLOY 86200 OR 86700
 - 5) MANUFACTURER'S OPTION TO UPGRADE MATERIAL TO DUCTILE IRON A536 GRADE 65-45-12

VALVE SIZE	A	B	C	D	E	F	G	H	J	K	L	M	N	P	R	S	W	X	Y	Z	AA	BB	① TURNS TO OPEN MASTERGEAR, RATIO 4.5:1 LIMITORQUE, RATIO 4:1	② TURNS TO OPEN ROTORK, RATIO 4:1	EST. WEIGHT
16	39.24	37.03	26.58	23.50	16.00	16.06	1.59	8.03	16-1.20	21.25	12	1.10	19.75	22.56	18.40	17.28	17.91	12-.875	21.00	12.00	17.23	0.25	221	196	1,000
18	44.50	46.06	30.50	24.88	18.38	17.00	1.69	8.50	16-1.25	22.75	12	1.06	21.00	24.88	20.74	19.64	19.00	12-.875	23.25	12.00	19.45	0.25	257	228	1,350
20	47.69	49.25	33.75	27.50	20.38	18.00	1.78	9.00	20-1.25	25.00	12	1.60	21.50	27.25	22.84	21.74	19.75	14-.875	25.50	12.00	21.45	0.25	284	252	1,800
24	54.06	55.50	39.50	32.00	24.38	20.00	2.00	10.00	20-1.38	29.50	16	1.12	23.50	31.88	27.05	25.94	21.75	16-.875	30.00	12.00	25.43	0.25	338	300	2,300
30	64.93	66.52*	48.00	38.75	30.38	26.00	2.12	13.00	28-1.38	36.00	20	1.25	33.50	39.53	33.47	32.18	29.75	20-1.125	36.88	18.00	30.94	.516	372	372	5,100
36	77.19	78.75*	56.50	46.00	36.38	30.00	2.37	15.00	32-1.63	42.75	24	1.45	37.50	46.41	39.77	38.48	33.75	24-1.125	43.75	18.00	36.94	.516	444	444	8,400

ECO 1411469 CHANGED O-RING AND DISC MATERIAL TO EPDM
33.75 WAS 33.00
24.88 WAS 25.00
KWE 12/1/06

ADDED NOTE
1.78 WAS 1.75
1.60 WAS 1.12
1.45 WAS 1.39
24.88 WAS 24.16
27.25 WAS 27.01
31.88 WAS 31.51

ECO 1430660 ADDED 16" SIZE TO ALL TABLES AND DESCRIPTIONS
NOTE 3 TO INCLUDE MANUFACTURER'S OPTIONS
ADDED DETAIL VIEW & ITEM 32
CAP 11/21/07

ECO 1453511 ADDED MASTERGEAR, LIMITORQUE AND ROTORK TO COLUMNS.
REMOVED GEARING FROM "B", CHANGED NOTE 3 TO INCLUDE MANUFACTURER'S OPTIONS
ADDED DETAIL VIEW & ITEM 32
CAP 11/21/07

ECO 1490849 ADDED COLUMN "AA" AND "BB"
ADDED RWTV BODY
MGB 12/03/08

ECO 1502011 REMOVED TEXT "SIZES 24" AND GREATER"
NAF 4/17/09

ECO 1538460 ADDED 16" SBR TO NOTE 1
JAB 05/27/10

APPROVED
By Charles Hines at 5:11 pm, May 27, 2010

SR BY	CAP	1/11/05	UNLESS OTHERWISE NOTED	THIRD ANGLE PROJECTION	C.D. NO.
CHKD	PSC	1/11/05	BREAK CAST CORNERS!		
ENGR	RWV	1/11/05	BREAK MACH CORNERS!		
MGR			TOLERANCES	REF. NO.	FINISH
TOOL			UNLESS OTHERWISE NOTED		ASSY
FBRY			LINEAR		NONE
			ANGULAR		
					STR. NO.

MAT'L NOTE
UNITS: STATES PIPE AND FOUNDRY CO. CHATTANOOGA, TENNESSEE
16"-36" RWGV & RWTV W/ BEVEL GEAR
U6743