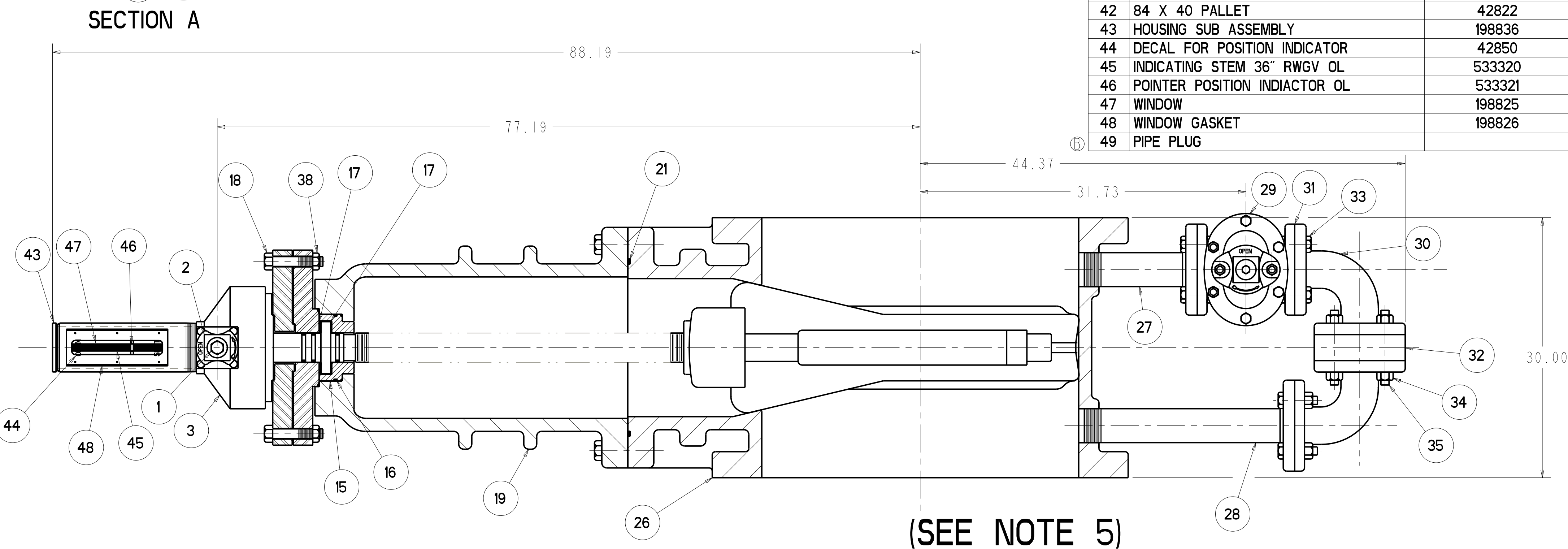
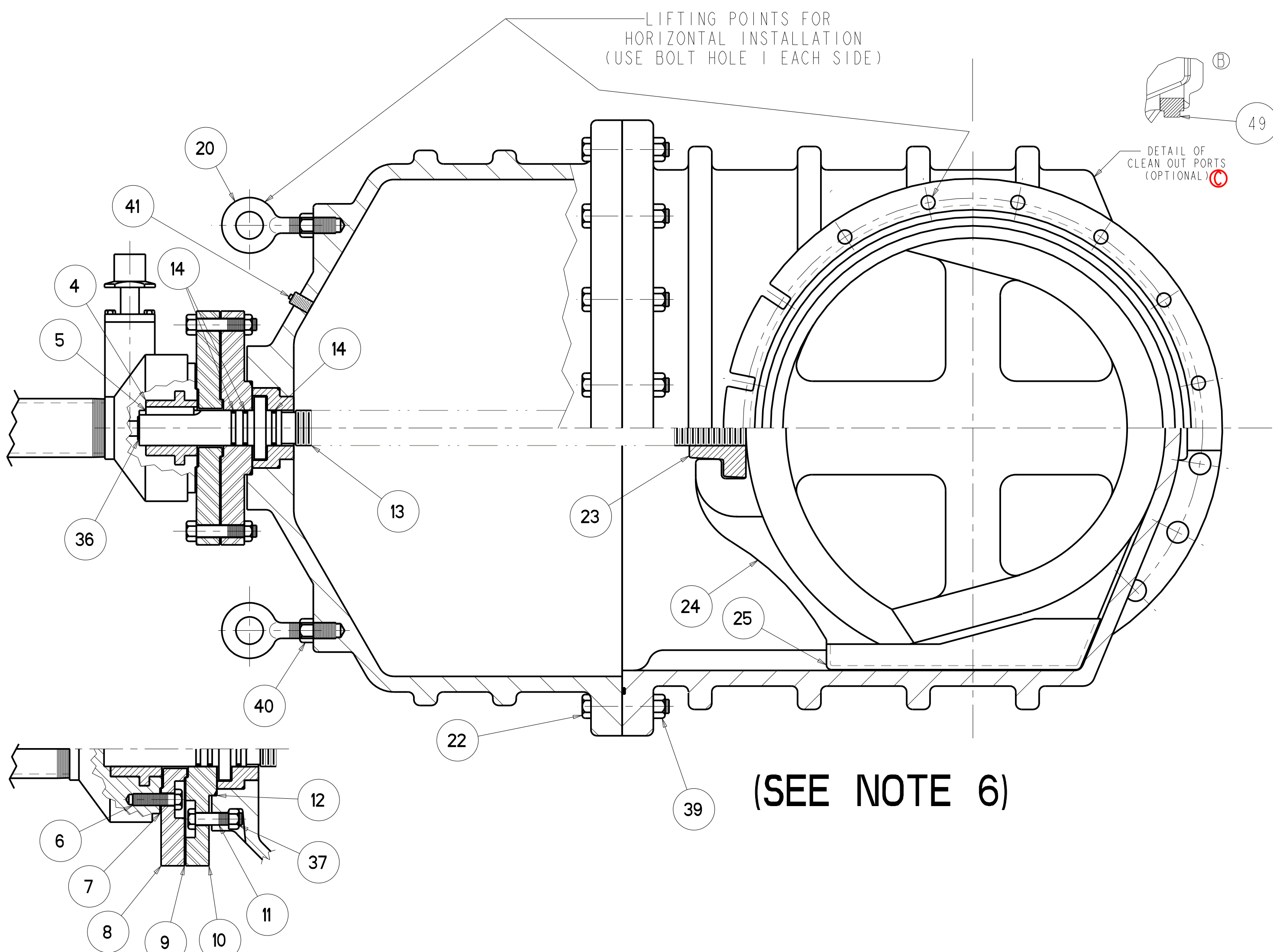




36" RWGV FLANGE ENDS - W/BEVEL GEARING - WITH OR WITHOUT BOTTOM BY-PASS



PARTS LIST - 360A236106LN 06E396

ITEM	DESCRIPTION	PART NO.	REQD	MATERIAL	ASTM	CLASS	NOTES
1	CAP SCREW 10mm x 30mm	533196	1	316 STAINLESS STEEL	A193		
2	WRENCH NUT	532826	1	CAST IRON (SEE NOTE 8)	A126	CLASS B	
3	BEVEL GEAR UNIT	198799	1	SEE NOTE 9			
4	STEM NUT	157773	1	BRASS			
5	KEY 1/2" X 3 1/2"	156238	1	316 STAINLESS STEEL	A193		
6	SOCKET HEAD SCREW 5/8" X 1 3/4"	312175	4	316 STAINLESS STEEL	A193		
7	GASKET	198796	1	RUBBER	D2000		
8	ADAPTER	533838P	1	IRON	A126	CLASS B	MAY SUBSTITUTE STEEL
9	O-RING 4 1/8" X 4 3/8" X 1/8" #243	195921	1	RUBBER	D2000		EPDM (A)
10	STUFFING BOX W/ SPUR GEARING	533354	1	IRON	A126	CLASS B	MAY SUBSTITUTE STEEL
11	SOCKET HEAD BOLT 7/8" X 4 1/4"	533356	4	316 STAINLESS STEEL	A193		
12	O-RING 5 5/8" X 6" X 3/16" #358	195916	1	RUBBER	D2000		EPDM (A)
13	STEM	533369	1	BRONZE			SEE NOTE 7
14	O-RING 2 3/8" X 2 3/4" X 3/16" #332	535719	3	RUBBER	D2000		EPDM (A)
15	BONNET BUSHING	533822	1	BRONZE	B62		
16	O-RING 4 7/8" X 5 1/8" X 1/8" #249	195161	1	RUBBER	D2000		EPDM (A)
17	WASHER	533823	2	BRASS			
18	HEX BOLT 3/4" X 4"	199182	4	316 STAINLESS STEEL	A193		
19	BONNET	533353	1	DUCTILE IRON	A536	GR. 65-45-12	
20	EYEBOLT 1 1/4"	535787	2	STEEL		GALVANIZED	
21	O-RING	533843	1	RUBBER	D2000		EPDM (A)
22	HEX BOLT 1" X 7 1/2"	533359	24	316 STAINLESS STEEL	A193		
23	DISC NUT	533833	1	BRONZE	B62		
24	DISC	533829	1				SEE NOTE 1
25	GUIDE CAP	533824	2	CELCON		M90	
26	BODY - FLG. X FLG	533360	1	DUCTILE IRON	A536	GR. 65-45-12	
27	PIPE NIPPLE W/FLG SHORT	533340P	1	STEEL			
28	PIPE NIPPLE W/FLG LONG	533341P	1	STEEL			
29	BY-PASS VALVE	030A236006LN E293	1				SEE NOTE 2
30	90° ELBOW LONG	533343P	2	CAST STEEL			
31	FLANGE GASKET	533351	5	RUBBER	D2000		
32	SPACER	533342P	1	STEEL	A36		
33	HEX BOLT 5/8" X 2 3/4"	198260	12	316 STAINLESS STEEL	A193		
34	HEX NUT 5/8"	196902	20	316 STAINLESS STEEL	A193		
35	STUD 5/8" X 5 1/2"	533362	4	316 STAINLESS STEEL	A193		
36	HOLD-DOWN WASHER 5/8"	199809	1	316 STAINLESS STEEL	A193		
37	HEAVY HEX NUT 7/8"	533358	4	316 STAINLESS STEEL	A193		
38	HEX NUT 3/4"	198263	4	316 STAINLESS STEEL	A193		
39	HEX NUT 1"	199939	24	316 STAINLESS STEEL	A193		
40	HEAVY HEX NUT 1 1/4"	194479	2	STEEL			
41	SQUARE HEAD PIPE PLUG 1/4" - 18 NPT	199177	1	316 STAINLESS STEEL	A193		
42	84 X 40 PALLET	42822	1	WOOD		NOT SHOWN	
43	HOUSING SUB ASSEMBLY	198836	1	STEEL			
44	DECAL FOR POSITION INDICATOR	42850	1				
45	INDICATING STEM 36" RWGV OL	533320	1	BRONZE			
46	POINTER POSITION INDICATOR OL	533321	1	BRONZE			
47	WINDOW	198825	1	PLEXIGLAS OR LEXAN			
48	WINDOW GASKET	198826	1				
49	PIPE PLUG		2				SUPPLIED WHEN TAPPED

- NOTES :
- (A) 1) RUBBER ENCAPSULATED DUCTILE IRON DISC  
RUBBER - EPDM ASTM D2000  
DUCTILE IRON ASTM A536 GRADE 65-45-12
  - 2) BY-PASS VALVE  
3" RWGV FLANGE ENDS  
444 TURNS TO FULLY OPEN/CLOSE 36" VALVE
  - 3) 11 TURNS TO FULLY OPEN/CLOSE BY-PASS ( 3' VALVE
  - 4) 36" VALVE WITH BY-PASS
  - 5) 36" VALVE WITHOUT BY-PASS
  - (A) 6) 30" TO 48" VALVES - BRONZE ASTM B763 ALLOY 99500
  - (B) 7) MANUFACTURER'S OPTION TO UPGRADE MATERIAL TO DUCTILE IRON A536 GRADE 65-45-12
  - (B) 8) VALVE WILL BE FURNISHED WITH ONE OF THE LISTED OPERATORS AT THE MANUFACTURER'S DISCRETION. LIMITORQUE B320-20 RATIO 4:1, TURNS TO OPEN 444 ROTORK IB6 RATIO 4:1, TURNS TO OPEN 444

ECO 1411506 CHANGED O-RING AND DISC MATERIAL TO EPDM REMOVED PRESSURE RATING ADDED NOTE AND STAINLESS/EVERDUR INDICATION TO TITLE KWF 12/1/06

ECO 1458072 ADDED NOTE 8 ADDED NOTE 9 ADDED DETAIL VIEW ADDED ITEM 49 CAP 01/11/08

ECO 1512041 REMOVED NOTE "SIZES 24" AND GREATER H D 7/29/09

**APPROVED**  
By Nicholas Franklin at 3:24 pm, Aug 18, 2009

SR BY: CAP 1/1/8/05	UNLESS OTHERWISE NOTED	THIRD ANGLE PROJECTION	C.D. NO.
CHKD: PSW 1/1/8/05	BREAK CAST CORNERS!		
ENGR: RWV 1/1/8/05	BREAK MACH CORNERS!	PURCH: NO	FINISH: ASSY
MFG:		REF. NO.	SCALE: NONE
TOOL:	UNLESS OTHERWISE NOTED	STR. NO.	
FBRY:	TOLERANCES		
	LINEAR		
	ANGULAR		
	±		
NOTED			
UNITED STATES PIPE AND FOUNDRY CO. CHATTANOOGA TENNESSEE		DESER: 36" FLANGE ENDS RWGV W/BEVEL GEARING & POSITION INDICATOR WITH OR WITHOUT BTM BY-PASS	NUMBER: U6745