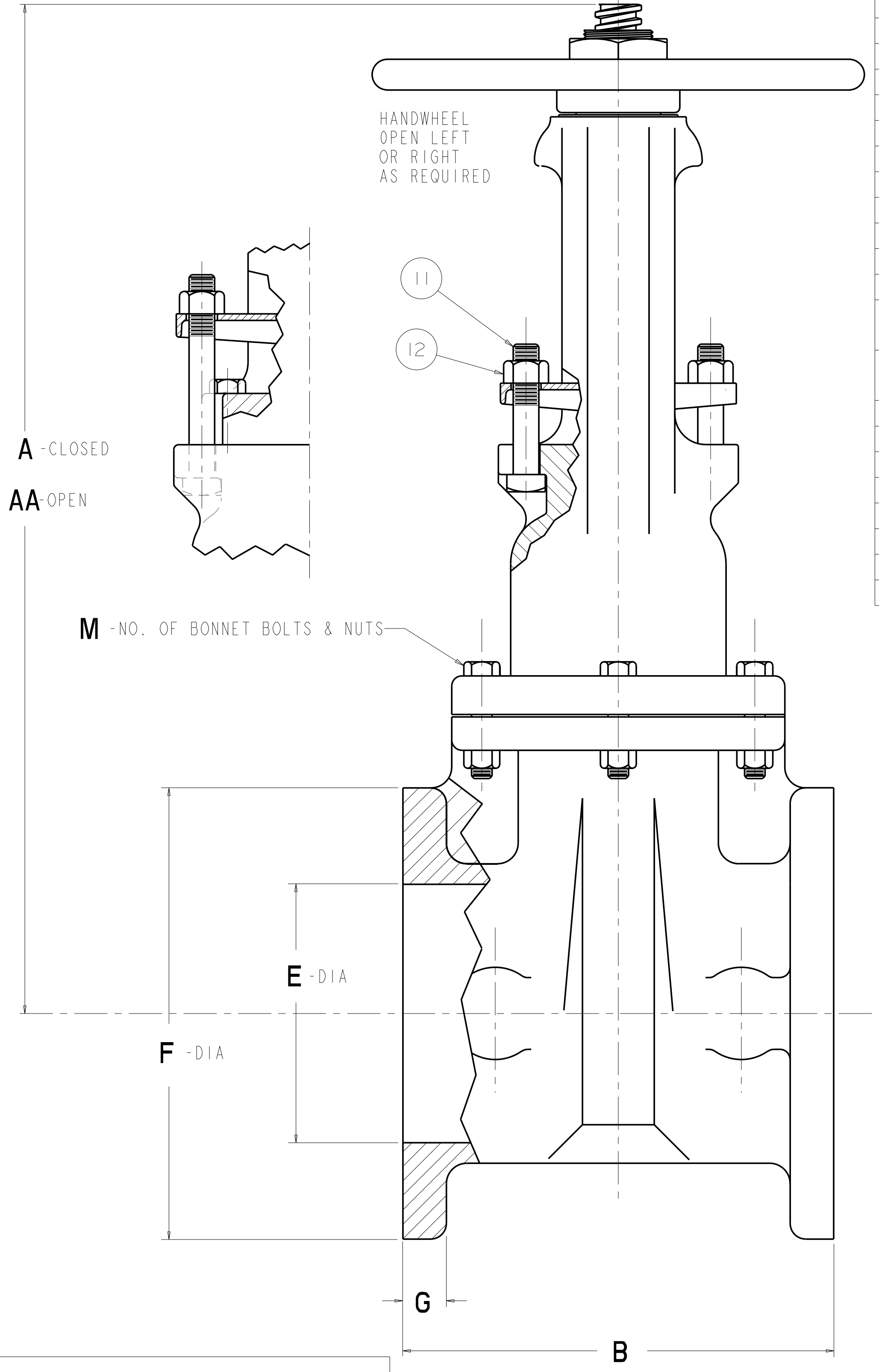
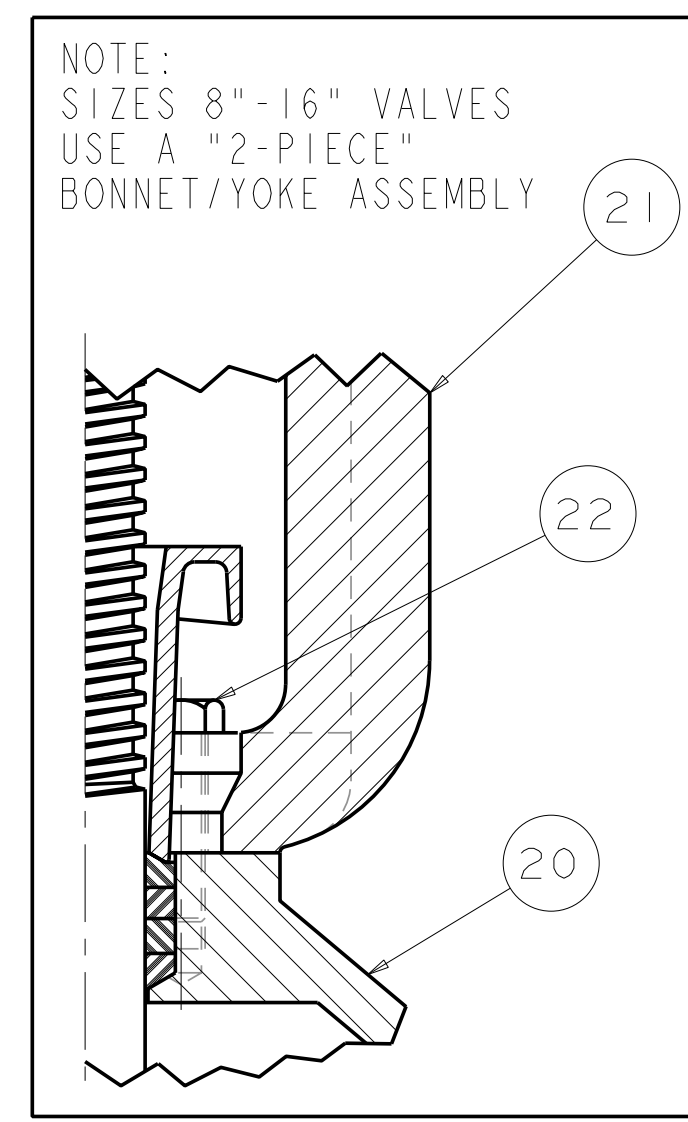
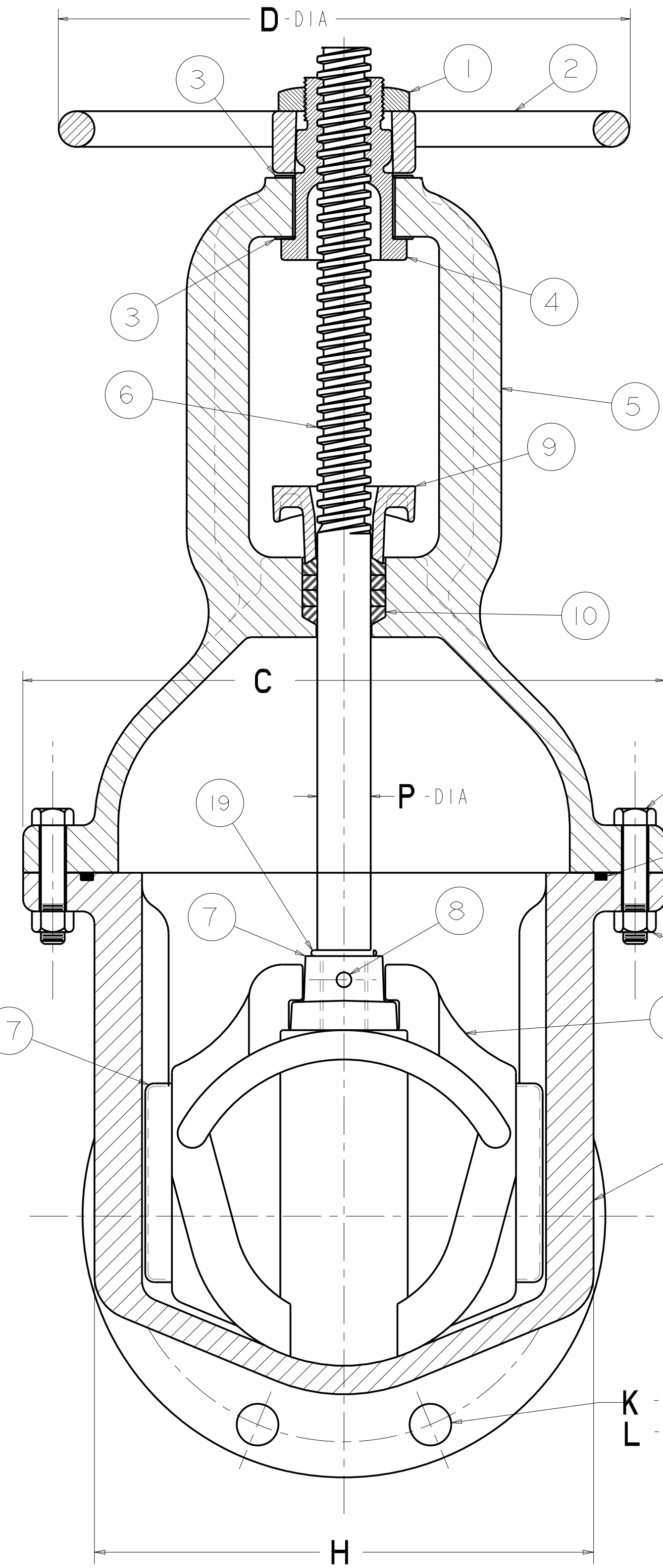


U6752 4IN - 16IN RESILIENT WEDGE GATE VALVES - OS&Y - W/ PN 16 DRILLING 040 - 160RUSP006LH



PART LIST						
ITEM	DESCRIPTION	RED'D	MATERIAL	ASTM	REMARKS	NOTES
1	CAP NUT	1	BRONZE	B62	ALLOY C83600	
2	HANDWHEEL	1	CAST IRON	A126	CLASS B	
3	WASHER	2	BRONZE			
4	BUSH NUT	1	BRONZE	B584	ALLOY C84400	
5	BONNET - YOKE	1	CAST IRON	A126	CLASS B	SEE NOTE 3
6	STEM	1	BRONZE	B138	ALLOY C67500	
7	STEM NUT	1	BRONZE	B62	ALLOY C83600	
8	PIN	1	STAINLESS STEEL		TYPE 304	
9	GLAND FLANGE	1	DUCTILE IRON	A536	GRADE 64-45-12	
10	STEM PACKING	"N"	LUBE FLAX		FED HH-P-106c	
11	GLAND BOLT	2	304 STAINLESS STEEL	A193	GRADE B8	
12	GLAND NUT	2	SILICON BRONZE	B98	ALLOY B-12	
13*	4"-12" BONNET BOLT 14"-16" BONNET BOLT	"F"	304 STAINLESS STEEL CARBON STEEL	A193 J429	GRADE B8 GRADE 2	SEE NOTE 5
14*	4"-12" BONNET NUT 14"-16" BONNET NUT	"F"	304 STAINLESS STEEL CARBON STEEL	F594 A563	GROUP 1 GRADE B ZINC PLATE	SEE NOTE 5
15	O-RING	1	RUBBER	D2000	NITRILE	
16	DISC	1				SEE NOTE 2
17	GUIDE CAP	2	CELCON		M90	
18	BODY	1	CAST IRON	A126	CLASS B	
19	O-RING	1	RUBBER	D2000	NITRILE	
20	BONNET	1				SEE NOTE 4
21	YOKE	1				SEE NOTE 4
22	CAP SCREW	4	304 STAINLESS STEEL	A193	GRADE B8	SEE NOTE 1

- NOTES:
- 8IN - 16IN SIZES
 - RUBBER ENCAPSULATED CAST IRON DISC
CAST IRON ASTM A126 CLASS B
RUBBER - SBR ASTM D2000
 - 4IN - 6IN SIZES
 - 8-12IN CAST IRON ASTM 126 CLASS B
14-16IN DUCTILE IRON ASTM A536 65-45-12

DIMENSIONS FOR MUELLER RWGV OS&Y - [mm] INCHES															
VALVE SIZE	A	AA	B	C	D	E	F	G	H	K	L	M	N	P	TURNS TO OPEN
4	19.00	23.68	9.00	10.79	10.00	4.30	9.00	0.94	9.00	8 - [19] .748	[180] 7.087	4	4	1.00	14
6	24.50	31.38	10.50	13.50	12.00	6.30	11.00	1.00	10.50	8 - [23] .906	[240] 9.449	6	4	1.12	20.5
8	29.50	38.50	11.50	16.36	14.00	8.30	13.50	1.12	11.50	12 - [23] .906	[295] 11.614	6	4	1.25	26.5
10	35.75	47.00	13.00	19.92	16.00	10.30	16.00	1.19	13.00	12 - [28] 1.102	[355] 13.976	8	4	1.38	33
12	40.50	53.50	14.00	21.00	16.00	12.30	19.00	1.25	14.00	12 - [28] 1.102	[410] 16.142	8	3	1.50	38.5
14	49.13	64.09	15.06	24.92	18.00	14.38	21.00	1.42	20.32	16 - [28] 1.102	[470] 18.504	10	4	1.63	43.5
16	54.63	71.19	16.06	26.58	18.00	16.00	23.50	1.57	21.64	16 - [12] 1.220	[525] 20.669	12	4	1.75	49

DR BY: CAP	1/17/05	UNLESS OTHERWISE NOTED	THIRD ANGLE PROJECTION	C.D. NO.
CHKD: PSG	1/17/05	BREAK CAST CORNERS!		PART. NO.
ENGR: RWV	1/17/05	BREAK MACH CORNERS!		
MFR:		TOLERANCES	PURCH: NO	FINISH: ASSY
MFG:		UNLESS OTHERWISE NOTED	REF. NO.	SCALE: NONE
TOOL:		LINER ±	STR. NO.	
FBY:		ANGULAR ±		
MAT'L: NOTED		DESCR: 4IN-16IN RWGV OS&Y WITH PN 16 DRILLING		NUMBER: U6752