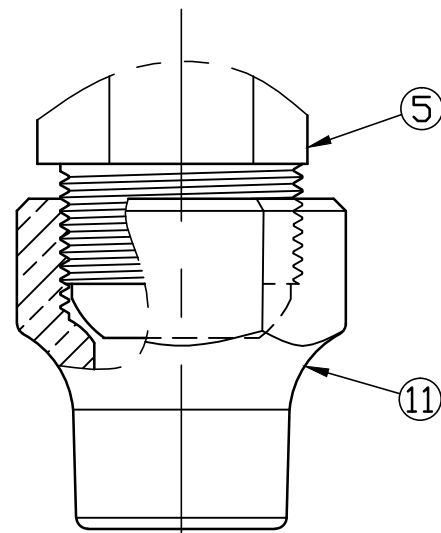


5/8x3/4x3/4" IS A (*)
 (2) PC CONSTRUCTION
 (AS SHOWN ABOVE)

No.	DESCRIPTION	MATERIAL
1	CAP	CAST BRASS ASTM B62 ALLOY C83600
2	PIN	BRASS ASTM B16 ALLOY C36000
3	KEY	CAST LOW LEAD BRASS ALLOY
4	O-RING	EPDM ASTM D2000
5	BODY	CAST LOW LEAD BRASS ALLOY
6	PLAIN NUT	CAST BRASS ASTM B62 ALLOY C83600
7	SNAP RING	PHOS BRONZE
8	RUBBER GASKET	NITRILE ASTM D2000
* 9	O-RING	EPDM ASTM D2000
* 10	SWIVEL BUSHING	CAST LOW LEAD BRASS ALLOY
11	CS TUBE NUT	CAST BRASS ASTM B62 ALLOY C83600



METER CONNX SIZE	A	B
5/8x3/4x3/4	1-11/16"	1-63/64"
1x3/4	1-11/16"	1-29/32"
1	1-31/32"	1-61/64"

ALL WETTED PARTS ARE LOW LEAD BRASS ALLOY

(1) PC CONSTRUCTION

FILEPATH: PRDD-ENG\JJ\SUBMITTALS\E1525

						DRFTR	RWB	2/4/10	JONES	UNLESS OTHERWISE NOTED THIRD ANGLE PROJECTION SURFACE PREPARATION: BREAK CORNER(S) ---- .000 SURFACE FINISH -- 000 RMS TOLERANCE(S): LINEAR ----- ± .000 ANGULAR ----- ± 0°00'			
						CHKR						REF. No.	SCALE
						ENGR							
						MGR							
								BY	DATE				
								STK No:					
								MAT'L:					
								DESCR.	GROUND KEY LLB ANGLE METER VALVE (COPPER FLARE NUT x MTR SWIVEL NUT)	DWG NUMBER E1525			
REV	ECR	DESCRIPTION	DATE	BY	CHKR								

TITLE TO AND OWNERSHIP OF THIS ENGINEERING DATA REMAINS IN Mueller Co. NO USE IS TO BE MADE OF THIS DATA EXCEPT AS SPECIFICALLY AUTHORIZED BY Mueller Co. ASSENT ON THE PART OF THE RECIPIENT TO THESE CONDITIONS IS PRESUMED

DWG NUMBER
E1525
JJ-MRKTG