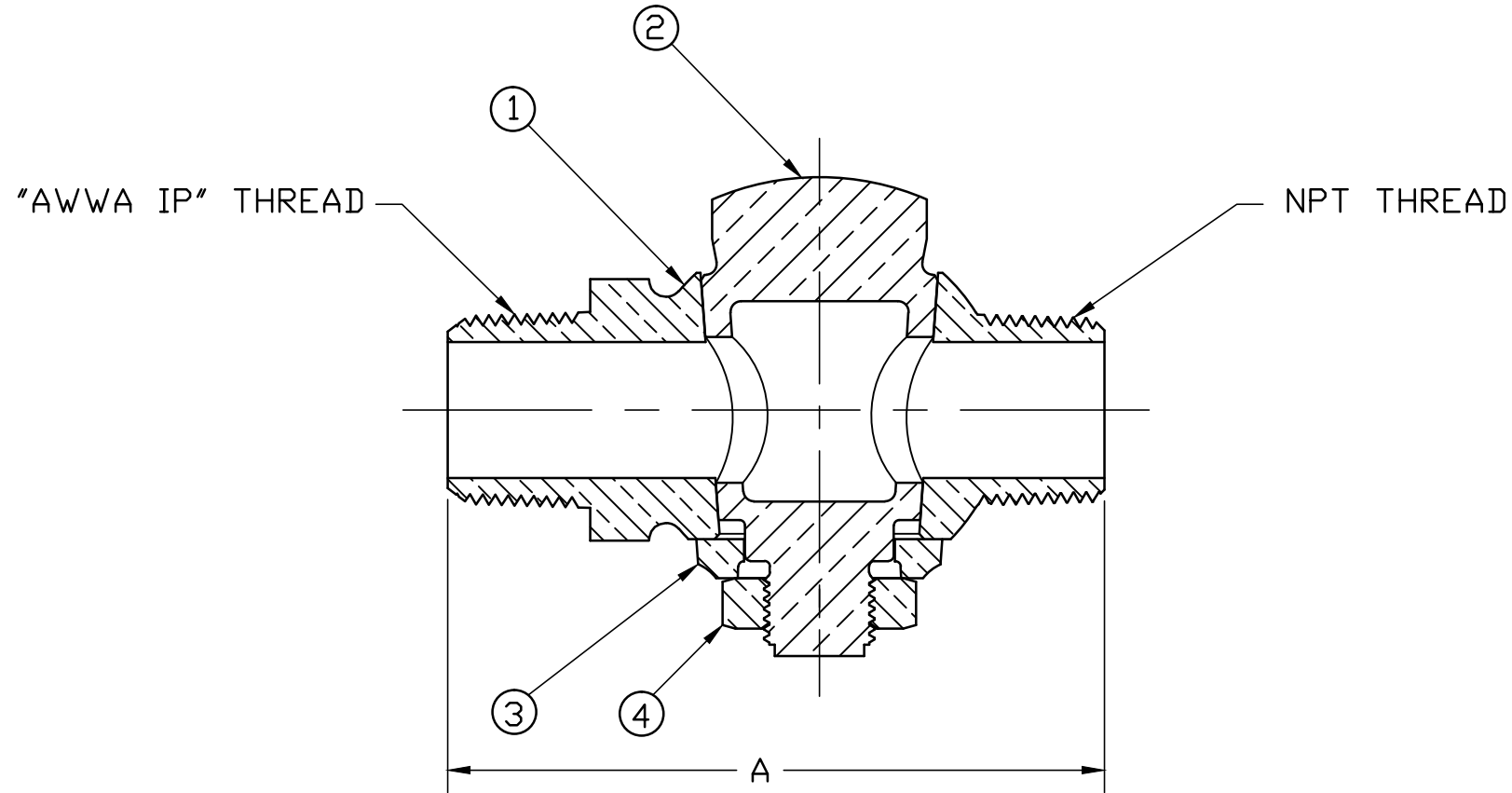


No.	DESCRIPTION	MATERIAL
1	BODY	CAST LOW LEAD BRASS ALLOY
2	KEY	CAST LOW LEAD BRASS ALLOY
3	KEY WASHER	CAST BRASS ASTM B62 ALLOY C83600
4	KEY NUT	CAST BRASS ASTM B62 ALLOY C83600



VALVE SIZE	A
3/4"	3-43/64"
1"	4-7/32"
1-1/4"	5-15/64"

ALL WETTED PARTS ARE LOW LEAD BRONZE ALLOY

FILEPATH: PROD-ENG\JJ\SUBMITTALS\E41

						DRFTR	RWB	2/4/10	<b>JONES</b>		
						CHKR					
						ENGR					
						MGR					
									UNLESS OTHERWISE NOTED	THIRD ANGLE PROJECTION	
									SURFACE PREPARATION:		
									BREAK CORNER(S) ---- .000		
									SURFACE FINISH -- XX RMS	REF. No.	SCALE
									TOLERANCE(S):		
									LINEAR ----- ± .000		
									ANGULAR ----- ± 0°00'		
								STK No:			
								MAT'L:			
								DESCR.	GROUND KEY LLB CORPORATION VALVE		DWG NUMBER
									(AWWA IP x MIP)		E41
REV	ECR	DESCRIPTION	DATE	BY	CHKR						

TITLE TO AND OWNERSHIP OF THIS ENGINEERING DATA REMAINS IN Mueller Co. NO USE IS TO BE MADE OF THIS DATA EXCEPT AS SPECIFICALLY AUTHORIZED BY Mueller Co. ASSENT ON THE PART OF THE RECIPIENT TO THESE CONDITIONS IS PRESUMED

DWG NUMBER  
E41  
JJ-MRKTG