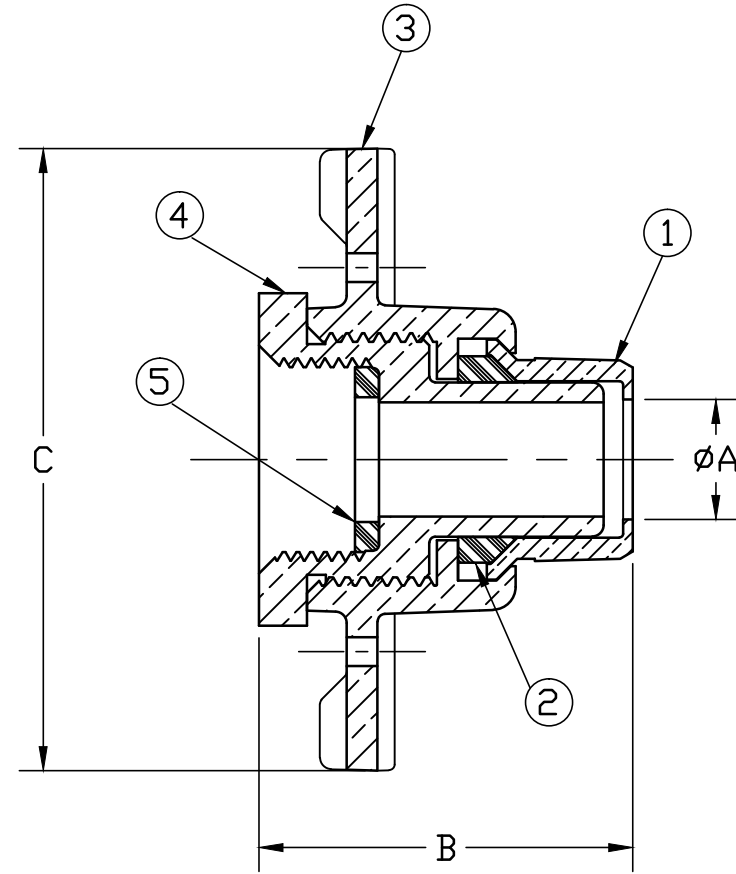
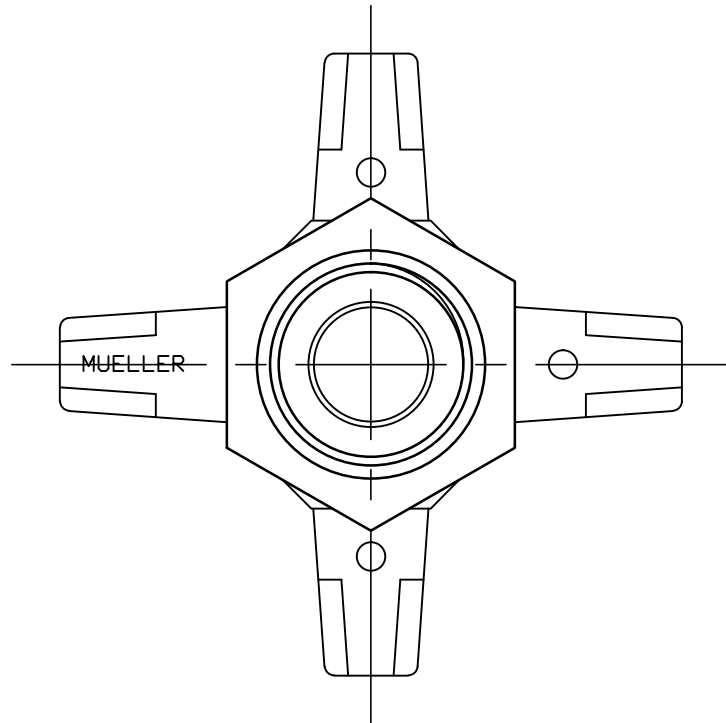


No.	DESCRIPTION	MATERIAL
1	EXT. CAP	CAST LOW LEAD BRASS ALLOY
2	SEAL	ASTM D2000 NBR
3	HANDWHEEL	CAST BRASS ASTM B62 ALLOY C83600
4	METER ADAPTER	CAST LOW LEAD BRASS ALLOY
5	RUBBER GASKET	RUBBER CODE R9



SIZE	ØA	B	C
E6212	.625	1.947	3.240
E6213	.750	2.125	3.500
E6214	1.000	2.546	4.300

FILEPATH: PROD-ENG\JAMESJONES\SUBMITTALS\E6212 E6213 E6214

						DRFTR	RWB	6/15/11	JONES			
						CHKR					UNLESS OTHERWISE NOTED	THIRD ANGLE PROJECTION
						ENGR					SURFACE PREPARATION:	
						MGR					BREAK CORNER(S) ---- .000	
									SURFACE FINISH -- XX RMS	REF. No.	SCALE	
									TOLERANCE(S):		FULL	
									LINEAR ----- ± .000			
									ANGULAR ----- ± 0°00'			
									STK No:	DWG NUMBER		
									MAT'L:	E6212		
									DESCR.	3 PC 4 SPOKE LLB HANDWHEEL EXPANSION UNIT		
REV	ECR	DESCRIPTION	DATE	BY	CHKR							

DWG NUMBER
E6212
44² - MRKT

TITLE TO AND OWNERSHIP OF THIS ENGINEERING DATA REMAINS IN Mueller Co. NO USE IS TO BE MADE OF THIS DATA EXCEPT AS SPECIFICALLY AUTHORIZED BY Mueller Co. ASSENT ON THE PART OF THE RECIPIENT TO THESE CONDITIONS IS PRESUMED