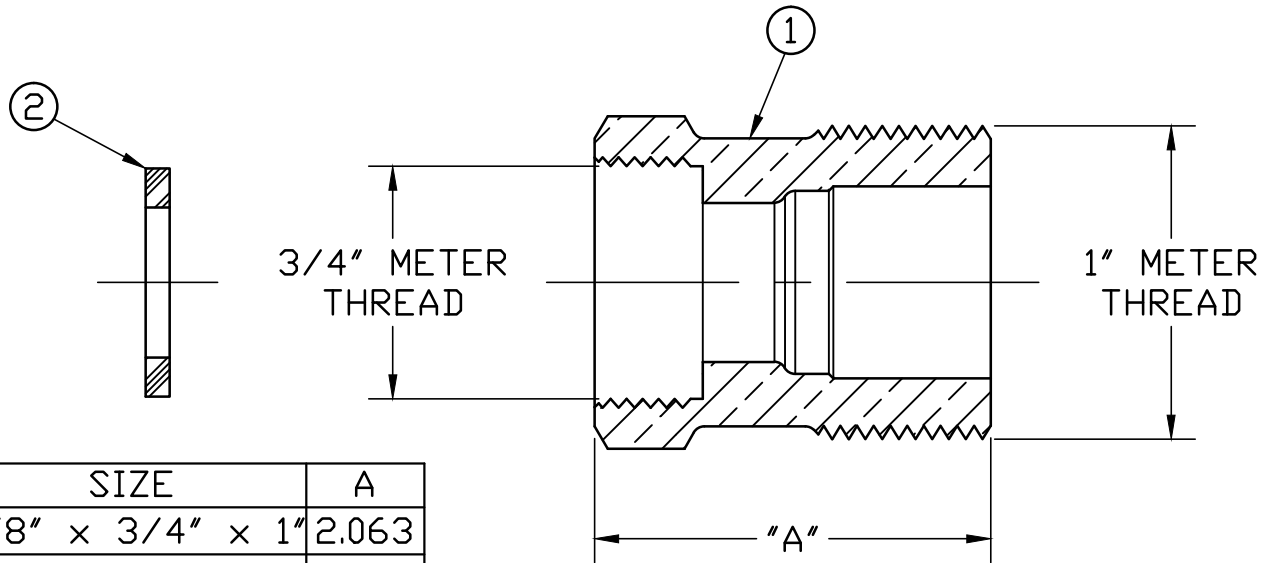


DWG NUMBER
E128HM

JJ-MRKTG

No.	DESCRIPTION	MATERIAL
1	HEX BUSHING	CAST LOW LEAD BRASS ALLOY
2	RUBBER GASKET	NITRILE ASTM D2000



SIZE	A
5/8" x 3/4" x 1"	2.063
1-1/4" x 1"	1.312

TITLE TO AND OWNERSHIP OF THIS ENGINEERING DATA REMAINS IN Mueller Co. NO USE IS TO BE MADE OF THIS DATA EXCEPT AS SPECIFICALLY AUTHORIZED BY Mueller Co. ASSENT ON THE PART OF THE RECIPIENT TO THESE CONDITIONS IS PRESUMED

FILEPATH: PRODD-ENG\JJ\SUBMITTALS\E128HM

						DRFTR	RWB	2/4/10	JONES	UNLESS OTHERWISE NOTED SURFACE PREPARATION: BREAK CORNER(S) ---- .000 SURFACE FINISH -- XX RMS TOLERANCE(S): LINEAR ----- ± .000 ANGULAR ----- ± 0°00'	THIRD ANGLE PROJECTION	
						CHKR					REF. No.	SCALE FULL
						ENGR						
						MGR						
							BY	DATE				
						STK No:						
						MAT'L:						
						DESCR.						
REV	ECR	DESCRIPTION	DATE	BY	CHKR	STRAIGHT METER LLB BUSHING (FEMALE METER x MALE METER)					DWG NUMBER E128HM	