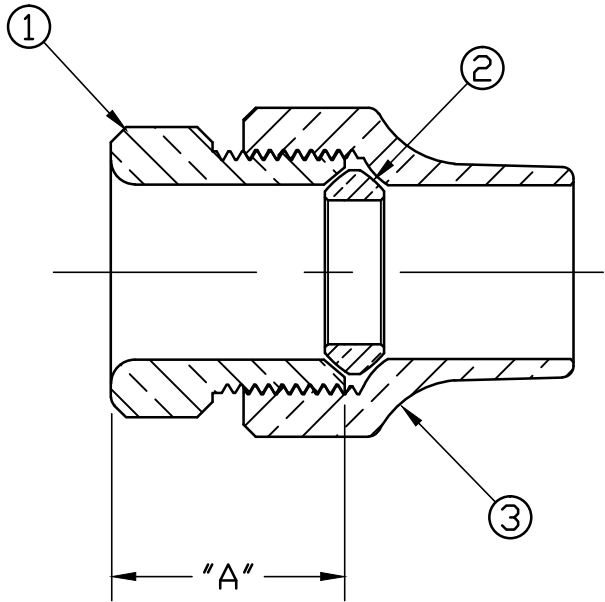


| No. | DESCRIPTION | MATERIAL |
|-----|-----------------|----------------------------------|
| 1 | SPUD | CAST LOW LEAD BRASS ALLOY |
| 2 | CONNECTING RING | LOW LEAD BRASS ALLOY |
| 3 | COPPER TUBE NUT | CAST BRASS ASTM B62 ALLOY C83600 |



| SIZE | A |
|-------|----------|
| 3/4 | 1-7/32" |
| 1 | 1-15/32" |
| 1-1/2 | 1-27/32" |

ALL WETTED PARTS ARE LOW LEAD BRASS ALLOY

FILEPATH: PROD-ENG\JJ\SUBMITTALS\E1529

DWG NUMBER
E1529
JJ-MRKTG

TITLE TO AND OWNERSHIP OF THIS ENGINEERING DATA REMAINS IN Mueller Co. NO USE IS TO BE MADE OF THIS DATA EXCEPT AS SPECIFICALLY AUTHORIZED BY Mueller Co. ASSENT ON THE PART OF THE RECIPIENT TO THESE CONDITIONS IS PRESUMED.

| | | | | | | | | | | | |
|-----|-----|-------------|------|----|------|-------|---------|---------|-------------------------------------------------------------------------------|------------------------------------------------------|---------------------|
| | | | | | | DRFTR | JGarvin | 6/7/10 | JONES | UNLESS OTHERWISE NOTED THIRD ANGLE PROJECTION | |
| | | | | | | CHKR | | | | | |
| | | | | | | ENGR | | | | | |
| | | | | | | MGR | | | | | |
| | | | | | | | | | SURFACE PREPARATION: BREAK CORNER(S) ---- .000 SURFACE FINISH -- XX RMS | REF. No. | SCALE FULL |
| | | | | | | | BY | DATE | | | |
| | | | | | | | | | TOLERANCE(S): LINEAR ----- ± .000 ANGULAR ----- ± 0°00' | | |
| | | | | | | | | STK No: | | | |
| | | | | | | | | MAT'L: | | | |
| | | | | | | | | DESCR. | TWO PART LLB UNION (CS x I/S CS) | | DWG NUMBER E1529 |
| REV | ECR | DESCRIPTION | DATE | BY | CHKR | | | | | | |