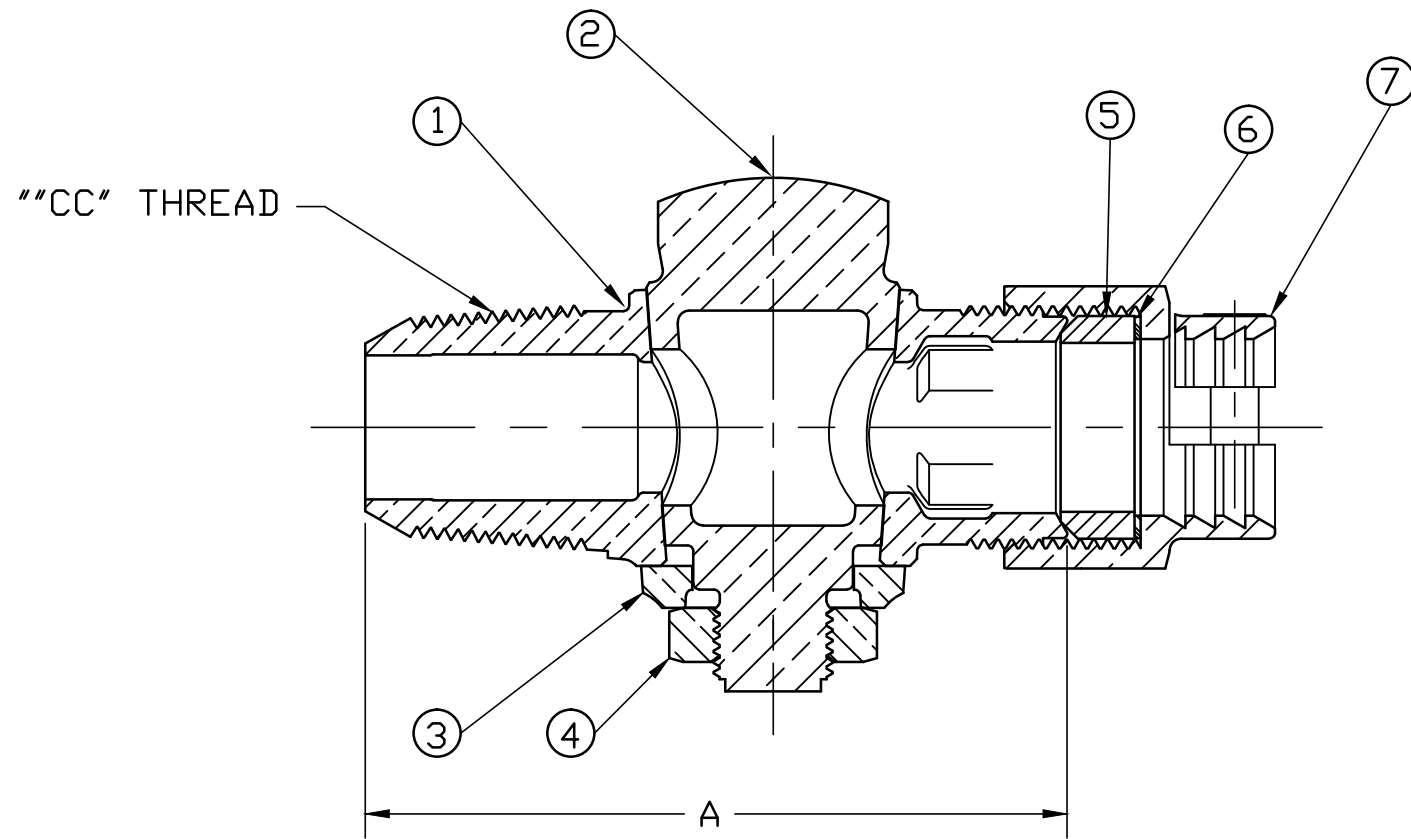


No.	DESCRIPTION	MATERIAL
1	BODY	CAST LOW LEAD BRASS ALLOY
2	KEY	CAST LOW LEAD BRASS ALLOY
3	KEY WASHER	CAST BRASS ASTM B62 ALLOY C83600
4	KEY NUT	CAST BRASS ASTM B62 ALLOY C83600
5	PJ GASKET	BUNA-N ASTM D2000
6	PJ WASHER	POLYPROPYLENE
7	COUP NUT SUB	CAST BRASS ASTM B62 ALLOY C83600



VALVE SIZE	A
3/4"	3-21/32"
3/4x1"	4-3/16"
1"	4-5/16"

ALL WETTED PARTS ARE LOW LEAD BRASS ALLOY

FILEPATH: PROD-ENG\JJ\SUBMITTALS\E3401

REV	ECR	DESCRIPTION	DATE	BY	CHKR	DRFTR	RWB	2/5/10	JONES UNLESS OTHERWISE NOTED SURFACE PREPARATION: BREAK CORNER(S) ----- .000 SURFACE FINISH -- XX RMS TOLERANCE(S): LINEAR ----- ± .000 ANGULAR ----- ± 0°00'		THIRD ANGLE PROJECTION	REF. No.	SCALE
									MAT'L: DESCR. GROUND KEY LLB CORPORATION VALVE (AWWA TAPER x PJ CTS)				DWG NUMBER E3401

TITLE TO AND OWNERSHIP OF THIS ENGINEERING DATA REMAINS IN Mueller Co. NO USE IS TO BE MADE OF THIS DATA EXCEPT AS SPECIFICALLY AUTHORIZED BY Mueller Co. ASSENT ON THE PART OF THE RECIPIENT TO THESE CONDITIONS IS PRESUMED.

DWG NUMBER
E3401
JJ-MRK TG