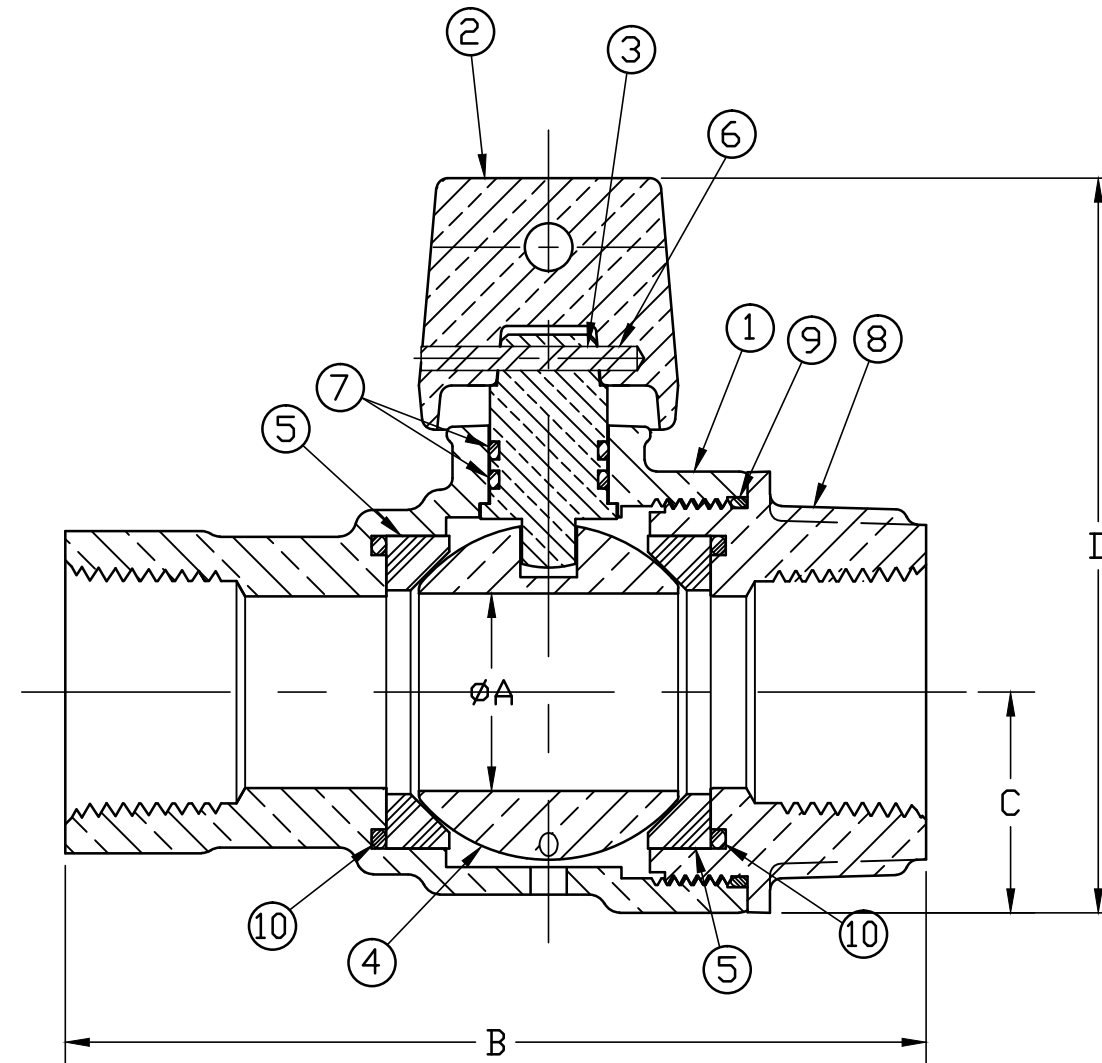


No.	DESCRIPTION	MATERIAL DESCRIPTION
1	BODY	CAST LOW LEAD BRASS ALLOY
2	CAP	CAST BRASS ASTM B62 ALLOY C83600
3	STEM	LOW LEAD BRASS ALLOY
4	BALL	LOW LEAD BRASS ALLOY
5	GASKET	VIRGIN PTFE
6	SOLID PIN	AISI 304 STAINLESS STEEL
7	O-RING	ASTM D2000 (EP)
8	END PIECE	CAST LOW LEAD BRASS ALLOY
9	O-RING	ASTM D2000 (EP)
10	O-RING	ASTM D2000 (EP)

SIZE	ØA	B	C	D
3/4	.75	3.37	.84	2.47
1	1.00	4.48	1.15	3.83
1-1/2	1.50	4.31	1.50	5.06
2	2.00	4.96	1.82	5.71



1-1/2" & 2" ARE THREE PIECE CONSTRUCTION
 ALL WETTED PARTS ARE LOW LEAD BRASS ALLOY

FILEPATH: PRODD-ENG\JAMESJONES\ASYSUBMITTALS\E6502

						DRFTR	RWB	4/22/16	JONES	UNLESS OTHERWISE NOTED SURFACE PREPARATION: BREAK CORNER(S) ---- .000 SURFACE FINISH -- XX RMS TOLERANCE(S): LINEAR ----- ± .000 ANGULAR ----- ± 0°00'	THIRD ANGLE PROJECTION	
						CHKR					REF. No.	SCALE FULL
						ENGR						
						MGR						
								BY	DATE			
								STK No:				
								MAT'L:				
								DESCR.	INLINE LLB BALL CURB VALVE W/ DRAIN FIP x FIP ASSEMBLY		DWG NUMBER E6502	
REV	ECR	DESCRIPTION	DATE	BY	CHKR	PER EST NO: DXXXX		EST FIN WT = 0.0000 lbs				

DWG NUMBER
E6502
JJ-MRKTG

TITLE TO AND OWNERSHIP OF THIS ENGINEERING
 DATA REMAINS IN Mueller Co. NO USE IS TO BE
 MADE OF THIS DATA EXCEPT AS SPECIFICALLY
 AUTHORIZED BY Mueller Co. ASSENT ON THE PART
 OF THE RECIPIENT TO THESE CONDITIONS IS PRESUMED