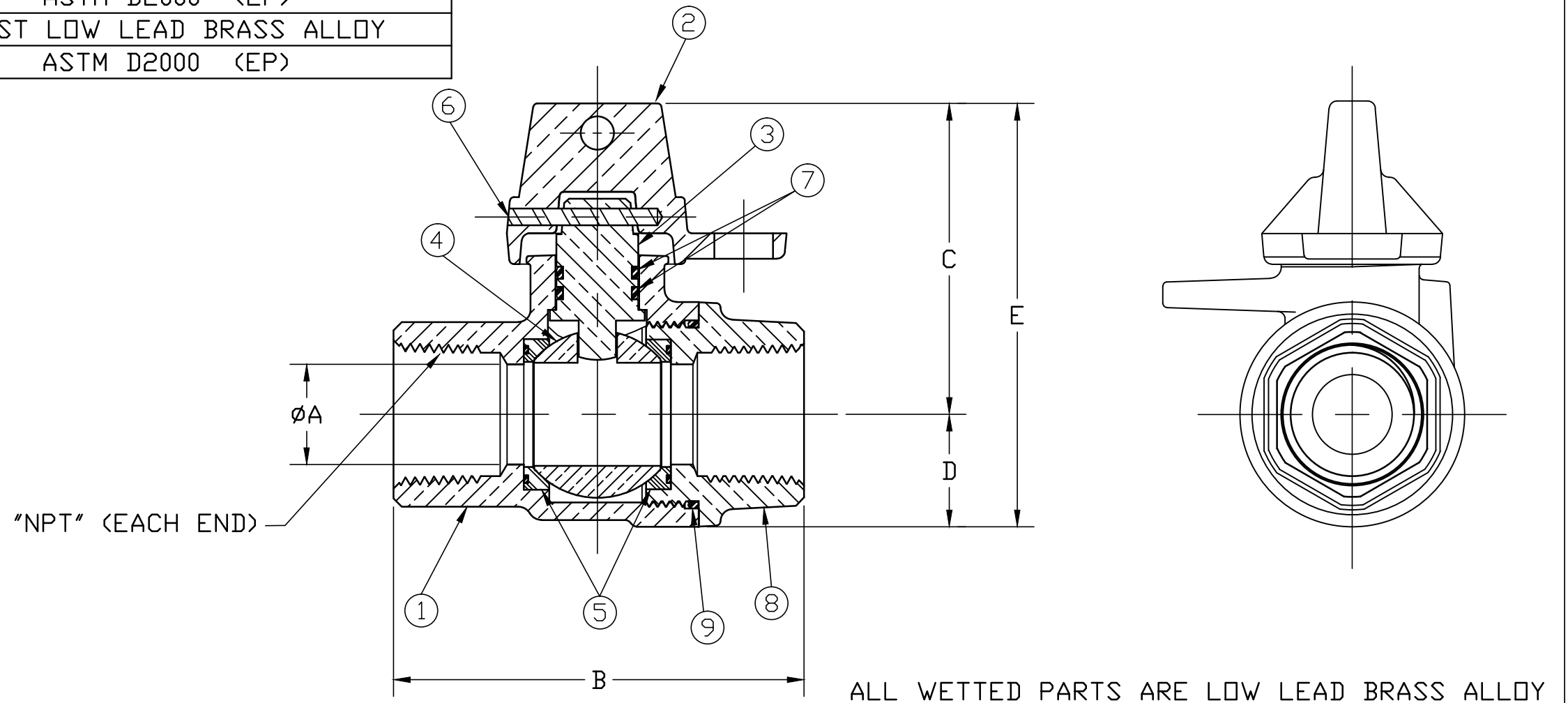


No.	DESCRIPTION	REQ'D	MATERIAL DESCRIPTION
1	BODY	1	CAST LOW LEAD BRASS ALLOY
2	CAP	1	CAST BRASS ASTM B62 ALLOY C83600
3	STEM	1	LOW LEAD BRASS ALLOY
4	BALL	1	LOW LEAD BRASS ALLOY
5	GASKET	2	ASTM D2000 (NITRILE)
6	SOLID PIN	1	AISI 304 ANNEALED STAINLESS STEEL
7	O-RING	2	ASTM D2000 (EP)
8	END PIECE	1	CAST LOW LEAD BRASS ALLOY
9	O-RING	1	ASTM D2000 (EP)

VALVE SIZE	A	B	C	D	E
3/4"	.62	3.06	2.32	.84	3.16
1"	.77	3.84	2.62	1.15	3.77



FILEPATH: PRD-ENG\JJ\SUBMITTALS\E2000W

						DRFTR	RWB	8/12/14	JONES	
						CHKR				
						ENGR				
						MGR				
									UNLESS OTHERWISE NOTED	THIRD ANGLE PROJECTION
									SURFACE PREPARATION:	REF. No. SCALE
									BREAK CORNER(S) ---- .000	
									SURFACE FINISH -- XX RMS	
									TOLERANCE(S):	
									LINEAR ----- ± .000	
									ANGULAR ----- ± 0°00'	
									STK No:	
									MAT'L:	
									DESCR.	
									LLB INLINE REDUCED BALL METER VALVE	
									(FIP x FIP)	
									DWG NUMBER	
									E2000W	

DWG NUMBER
E2000W
JJ-MRKTG

TITLE TO AND OWNERSHIP OF THIS ENGINEERING DATA REMAINS IN Mueller Co. NO USE IS TO BE MADE OF THIS DATA EXCEPT AS SPECIFICALLY AUTHORIZED BY Mueller Co. ASSENT ON THE PART OF THE RECIPIENT TO THESE CONDITIONS IS PRESUMED

REV	ECR	DESCRIPTION	DATE	BY	CHKR