

P-USP1 Resilient Wedge Gate Valve

NRS – PIV: 4" – 12"/DN100 – DN300

**U.S.
PIPE**

**VALVE &
HYDRANT**



PRODUCT FEATURES

- Non-Rising Stem (NRS), Post Indicator Valve (PIV).
- Ductile Iron Body, Bonnet and Post Indicator Flange.
- Mueller Pro-Gard® Fusion Bonded Epoxy Coating inside and out cover all cast surfaces – 10 mils (250 µm) nominal. Meets requirements of AWWA / ANSI C550.
- Meets requirements of AWWA / ANSI C515 and is certified to ANSI / NSF 61 & 372.
- Ductile Iron wedge, symmetrical and fully encapsulated with molded rubber; no exposed iron.
- Polymer cap bearing on wedge guides resist wear and provide easy operation.
- Three stem O-rings seal in lubricant – two above thrust collar, one below.
- Polymer anti-friction washers – one above and one below thrust collar reduce operating torque.
- Bi-directional flow.
- 10-year limited warranty.
- Working Pressure: 350 psig / 24 barg; Test Pressure: 700 psig / 48 barg.
- UL 262 listed, FM 1120 / 1130 approved.
- Flange End drilling meets ANSI B16.1, Class 250. Optional PN25 drilling.

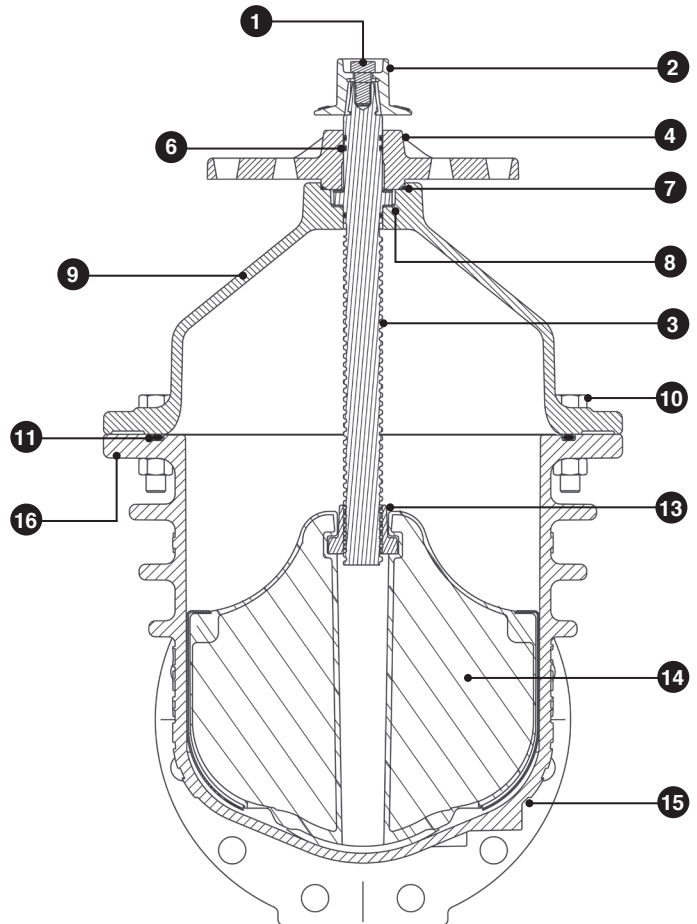
PARTS LIST

ID	PART NAME	MATERIAL
1	Cap Screw	316 Stainless Steel (See Note 2)
2	Wrench Nut	Ductile Iron ASTM A536
3	Stem	Bronze ASTM B138 (C67600)
4	Stuffing Box	Ductile Iron ASTM A536
5	Stuffing Box Bolts / Nuts	316 Stainless Steel (See Note 2)
6	O-Ring	NBR ASTM D2000
7	O-Ring	NBR ASTM D2000
8	Anti-Friction Washer	Acetal
9	Bonnet	Ductile Iron ASTM A536
10	Bonnet Bolts / Nuts	316 Stainless Steel (See Note 2)
11	Bonnet Gasket (O-Ring)	NBR ASTM D2000
13	Disc Nut	Bronze ASTM B584
14	Disc	(See Note 1)
15	Guide Cap	Acetal
16	Body	Ductile Iron ASTM A536

NOTES:

1. Rubber-encapsulated Ductile Iron Disc, Rubber – SBR ASTM D2000, Ductile Iron ASTM A536.

2. Bonnet Bolts, Cap Screw and Stuffing Box Bolts – ASTM F593 Group 2-CW; Nuts – ASTM F594 Group 2-CW.



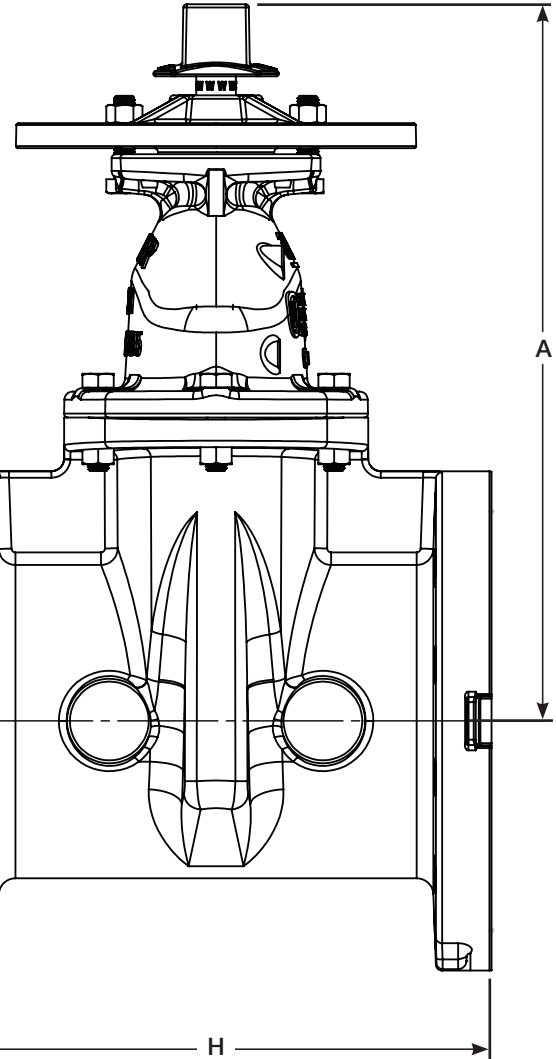
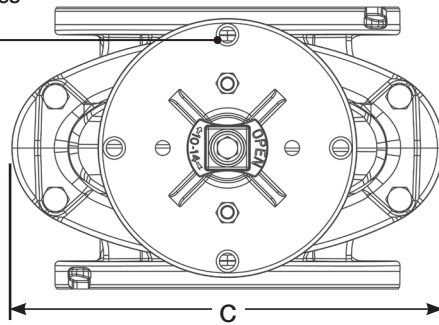
P-USP1 Resilient Wedge Gate Valve

NRS – PIV: 4" – 12"/DN100 – DN300



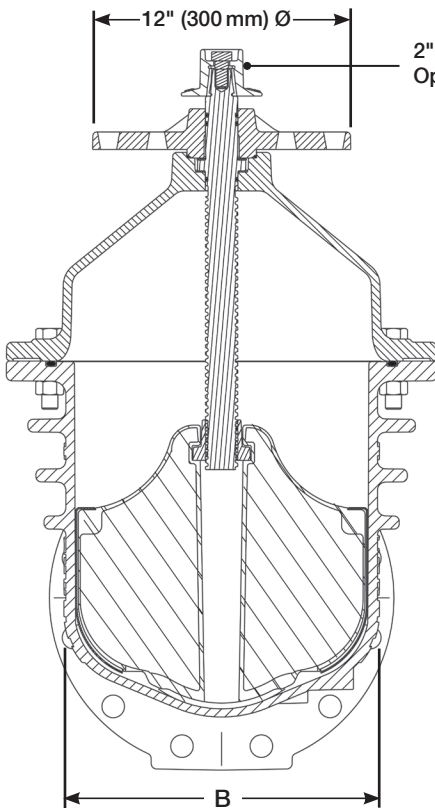
**VALVE &
HYDRANT**

3/4" (19 mm) Ø – 4 Holes
Equally Spaced



12" (300 mm) Ø

2" (50 mm) Square Wrench Nut
Open Left to Right as Required



ØK – No. & Size of Hole
Equally Spaced
ØL – Bolt Circle Each End

Flanged Ends

DIMENSIONS – inches (mm)

Valve Size	A	B	C	ØE	ØF	H	NO. - ØK	ØL	Turns to Open	WT - lb (kg)
4"/DN100	14.19 (360)	12.00 (305)	10.79 (274)	4.30 (109)	10.00 (254)	12.00 (305)	8 - 0.88 (22)	7.87 (200)	14	123 (56)
6"/DN150	18.00 (457)	15.86 (403)	13.50 (343)	6.30 (160)	12.50 (318)	15.86 (403)	12 - 0.88 (22)	10.63 (270)	20.5	202 (92)
8"/DN200	21.50 (546)	16.50 (419)	16.36 (416)	8.30 (211)	15.00 (381)	16.50 (419)	12 - 1.13 (29)	12.99 (330)	26.5	310 (141)
10"/DN250	25.50 (648)	18.00 (457)	19.99 (508)	10.30 (262)	17.50 (445)	18.00 (457)	16 - 1.25 (32)	15.24 (387)	33	471 (214)
12"/DN300	28.62 (727)	19.75 (502)	21.00 (533)	12.30 (312)	20.50 (521)	19.75 (502)	16 - 1.25 (32)	17.76 (451)	38.5	611 (277)



Copyright © 2018 U.S. Pipe Valve & Hydrant, LLC. All Rights Reserved. The trademarks, logos and service marks displayed in this document herein are the property of U.S. Pipe Valve & Hydrant, LLC, its affiliates or other third parties. Products marked with a section symbol (§) are subject to patents or patent applications. For details, visit www.mwppat.com. These products are intended for use in potable water applications. Please contact your Mueller Sales or Customer Service Representative concerning any other application(s).