

PART LIST 48" RWGV ASSEMBLY WITH SPUR GEAR OPERATOR SHOWN 19300 lbs (approx.)

ITEM	DESCRIPTION	PART NO.	REQ'D	MATERIAL	ASTM
1	WRENCH NUT (SEE NOTE 6)Ⓞ		1	CAST IRON	A126 CLASS B
2	SET SCREW	536481	1	STEEL Ⓞ	
3	SPUR GEAR (SEE NOTE 5)Ⓞ		1		
4	HEX BOLT 3/4" x 6.00"	536521	4	STEEL	SEE NOTE 3
5	ADAPTER	533863	1	HOT ROLLED STEEL	A36
6	STUFFING BOX w/SPUR GEAR	533887	1	HOT ROLLED STEEL	A36
7	HEX NUT 3/4"	193814	4	STEEL	SEE NOTE 3
8	SO. HEAD PIPE PLUG 1/4-18NPT	199177	1	316 S. STEEL	
9	O-RING 5 1/8"x5 3/8"x 1/8" #251	195186	1	RUBBER	D2000 EPDM Ⓞ
10	O-RING 3 3/8" x 3 3/4" x 3/16" #340	533893	3	RUBBER	D2000 EPDM Ⓞ
11	O-RING 6 1/4"x6 5/8"x 3/16" #362	195926	1	RUBBER	D2000 EPDM Ⓞ
12	ANTI-FRICTION (THRUST) WASHER	533892	2	BRASS	HARD CDA260
13	SOCKET HEAD BOLT 3/4"x2 1/4"-BEVEL GEAR	533872	4	STEEL	SEE NOTE 3
14	SOCKET HEAD BOLT 3/4"x1 1/2"-SPUR GEAR	536759	4	STEEL	SEE NOTE 3
15	HEAVY HEX NUT 1"	193640	4	STEEL	SEE NOTE 3
16	EYEBOLT 1 1/2"	536108	2	STEEL	GALVANIZED
17	HEX NUT 1 1/2"	536135	2	STEEL	SEE NOTE 3
18	BONNET BUSHING	533885	1	BRONZE	B62
19	STEM	533889	1	BRONZE	SEE NOTE 1
20	BONNET	533878	1	DUCTILE IRON	A536 GRADE 65-45-12
21	HEX BOLT 1 1/4" x 9 1/2"	536757	28Ⓞ	STEEL	SEE NOTE 3
22	HEX NUT 1 1/4"	536134	28Ⓞ	STEEL	SEE NOTE 3
23	BONNET O-RING	536536	1	RUBBER	D2000 EPDM Ⓞ
24	BODY	SEE BODIES	1	DUCTILE IRON	A536 GRADE 65-45-12
25	DISC NUT	533883	1	BRONZE	B62
26	ENCAPSULATED DISC	533880	1	SEE NOTE 2	
27	GUIDE CAP	533891	2	CELCON	M90

4" RWGV BY-PASS PART LIST 210lbs (approx.)

28	BY-PASS VALVE ASSEMBLY	040A236006LN	1		SEE NOTE 4
29	PIPE NIPPLE w/FLANGE	533868	2	STEEL	
30	90° ELBOW - SHORT	533869	2	STEEL	
30b	SPACER	536758	1	STEEL	
31	FLANGE GASKET	533870	5	RUBBER	
32	Ø3/4" HEX BOLT (SHORT)		22	STEEL	SEE NOTE 3
32b	Ø3/4" HEX BOLT (LONG)		6	STEEL	SEE NOTE 3
32c	Ø3/4" THREADED STUD (LONG)		2	STEEL	SEE NOTE 3
32d	Ø3/4" THREADED STUD (SHORT)		2	STEEL	SEE NOTE 3
33	HEX NUT 3/4"		36	STEEL	SEE NOTE 3

BEVEL GEAR PART LIST

34	BEVEL GEAR (SEE NOTE 5)Ⓞ	198801	1	STEEL	LIMITORQUE
35	HEX CAP SCREW METRIC 10mm x 1.5 x 30mmⓄ	199738	1	BRASS	
36	WASHER	198749	1	BRASS	
37	STEM NUT	536461	1	STEEL	
38	KEY .5"x3"(USED WITH SPUR/BEVEL GEARING)	155233	1	STEEL	
39	CAP SCREW 3/4" x 1" (SPUR/BEVEL)	190566	1	STEEL	SEE NOTE 3
40	HOLD DOWN WASHER (USE w/SPUR/BEVEL)	533895	1	STEEL	SEE NOTE 3
40a	PIPE PLUG 3"	091429 Ⓞ	1	SUPPLIED WITH GEAR Ⓞ	

POSITION INDICATOR PART LIST

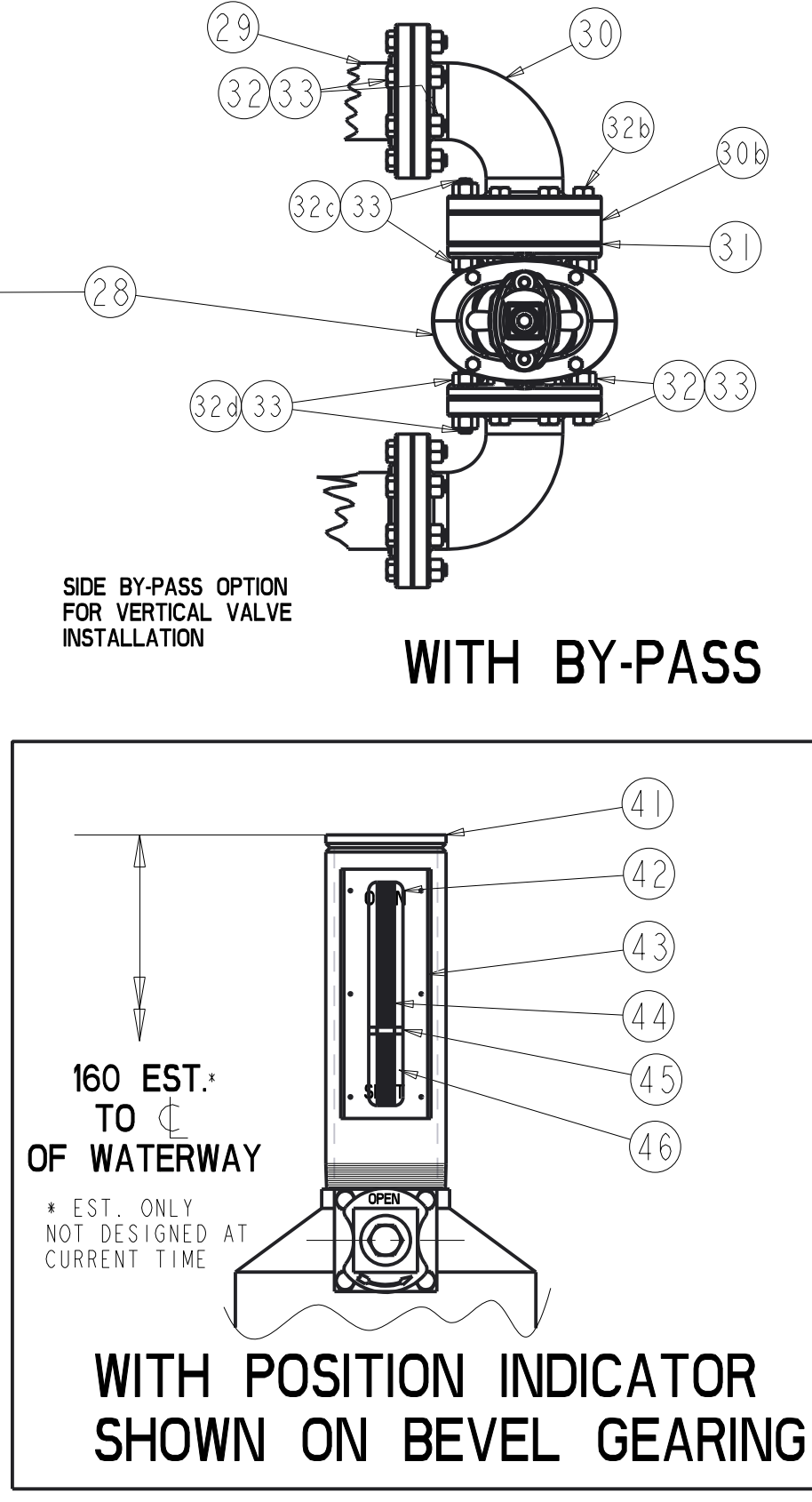
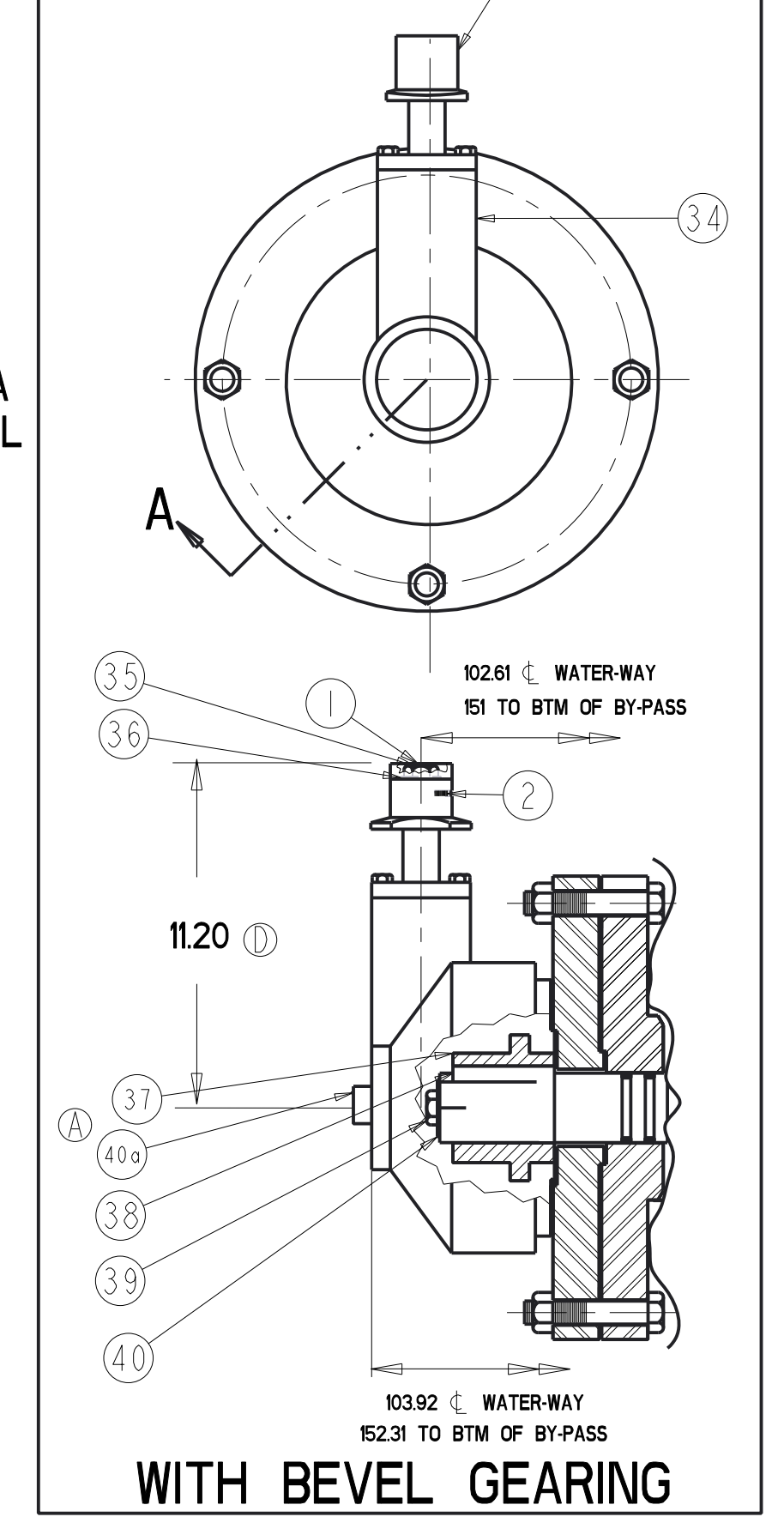
41	HOUSING SUB ASSEMBLY		1	STEEL	
42	DECAL FOR POSITION INDICATOR		1		
43	WINDOW GASKET		1		
44	INDICATING STEM 42" RWGV OL		1	BRONZE	
45	POINTER POSITION INDICATOR OL		1	BRONZE	
46	WINDOW		1	PLEXIGLAS/LEXAN	

BODY END CONFIGURATIONS

47	FLANGE x FLANGE BODY	533875	1	DUCTILE IRON	A536 GRADE 65-45-12
48	MECH. JOINT x MECH. JOINT BODY	533876	1	DUCTILE IRON	A536 GRADE 65-45-12
49	FLANGE x MECH. JOINT	533877	1	DUCTILE IRON	A536 GRADE 65-45-12
50	MECH. JOINT x FLANGE TAPPING BODY	NOT OFFERED	1	DUCTILE IRON	A536 GRADE 65-45-12
51	FLANGE x FLANGE TAPPING BODY	NOT OFFERED	1	DUCTILE IRON	A536 GRADE 65-45-12
52	PIPE PLUG		2	SUPPLIED WHEN TAPPED	

NOTES:
 1. BRONZE ASTM B584 ALLOY C88200
 2. RUBBER ENCAPSULATED DUCTILE IRON DISC RUBBER - EPDM ASTM D2000 DUCTILE IRON ASTM A536 GRADE 65-45-12
 3. BOLTS - SAE J429 GRADE 2 FASTENERS - PLATED TO ASTM F959 CLASS Fx/20 DC NUTS - ASTM A563 GRADE B
 4. BY-PASS VALVE 4" RWGV - FLANGE ENDS BY-PASS VALVES ARE EQUIPPED WITH 2" SQUARE WRENCH NUTS OR 6" DIA HANDWHEELS OPEN LEFT OR RIGHT AS REQUIRED
 5. VALVES TO BE FURNISHED WITH ONE OF THE LISTED OPERATORS AT THE MANUFACTURER'S DISCRETION BEVEL: LIMITORQUE B320-40, RATIO 4:1, TURNS TO OPEN 596 ROTORK 187, RATIO 4:1, TURNS TO OPEN 596 SPUR ROTORK 157, RATIO 4:1, TURNS TO OPEN 596
 6. MANUFACTURER'S OPTION TO UPGRADE MATERIAL TO DUCTILE IRON A536 GRADE 65-45-12
 UNLESS OTHERWISE NOTED
 BREAK CAST CORNERS!
 BREAK MACH CORNERS!
 TOLERANCES
 UNLESS OTHERWISE NOTED
 LINEAR ± ANGLAR ±
 THIRD ANGLE PROJECTION
 C.D. NO.
 PURCH. NO. FINISH SCALE NONE
 REF. NO. PART. NO.
 STR. NO.

2" SQUARE WRENCH NUT OR 24" DIA HANDWHEEL OPEN LEFT OR RIGHT AS REQUIRED



APPROVED
 By Nicholas Franklin at 3:27 pm, Aug 18, 2009

U536570

ECO 1370370	ECO 1373597	ECO 1425166	ECO 1437343	ECO 1458478	ECO 1512083
ADDED PIPE PLUG 3"	ADDED PIPE PLUG 3"	SHORT WAS LONG MOVED ITEMS	ADDED NOTE 6 CHANGED ITEM 40A TO SUPPLIED WITH GEAR 1 IN ORDER UNDER BEVEL OPTION	ADDED ITEM 52, DETAIL VIEW CAP 1-14-08	ADDED NOTE 6 CHANGED ITEM 40A TO SUPPLIED WITH GEAR 1 IN ORDER UNDER BEVEL OPTION
ECO 1405376	ECO 1405376	ECO 1405376	ECO 1405376	ECO 1405376	ECO 1405376
CHANGED O-RING MATERIAL TO EPDM	CHANGED O-RING MATERIAL TO EPDM	CHANGED O-RING MATERIAL TO EPDM	CHANGED O-RING MATERIAL TO EPDM	CHANGED O-RING MATERIAL TO EPDM	CHANGED O-RING MATERIAL TO EPDM
KWE 10/06/06	KWE 10/06/06	KWE 10/06/06	KWE 10/06/06	KWE 10/06/06	KWE 10/06/06

NOTED	48" RWGV	NUMBER
250-PSI AWWA C515		U536570