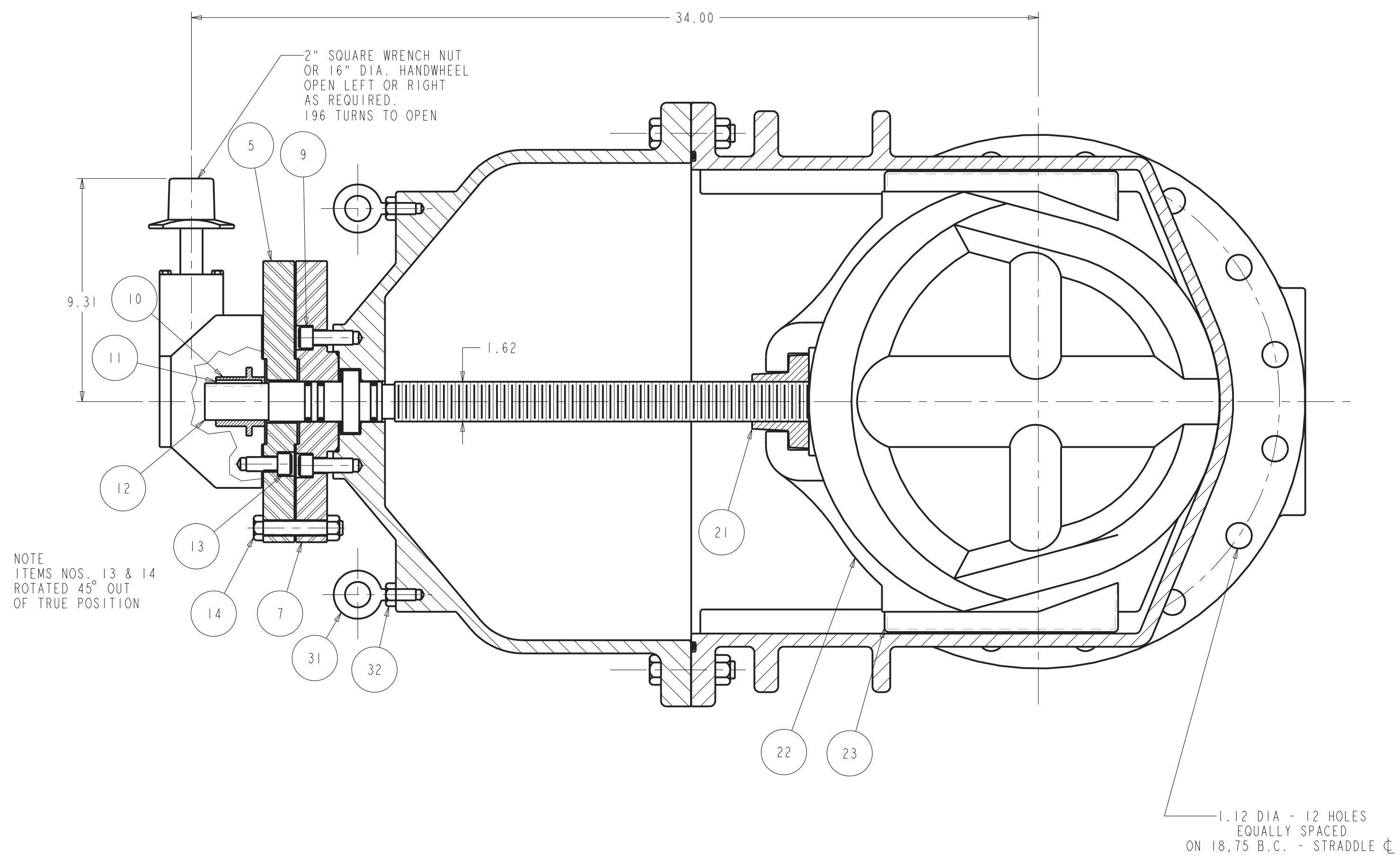
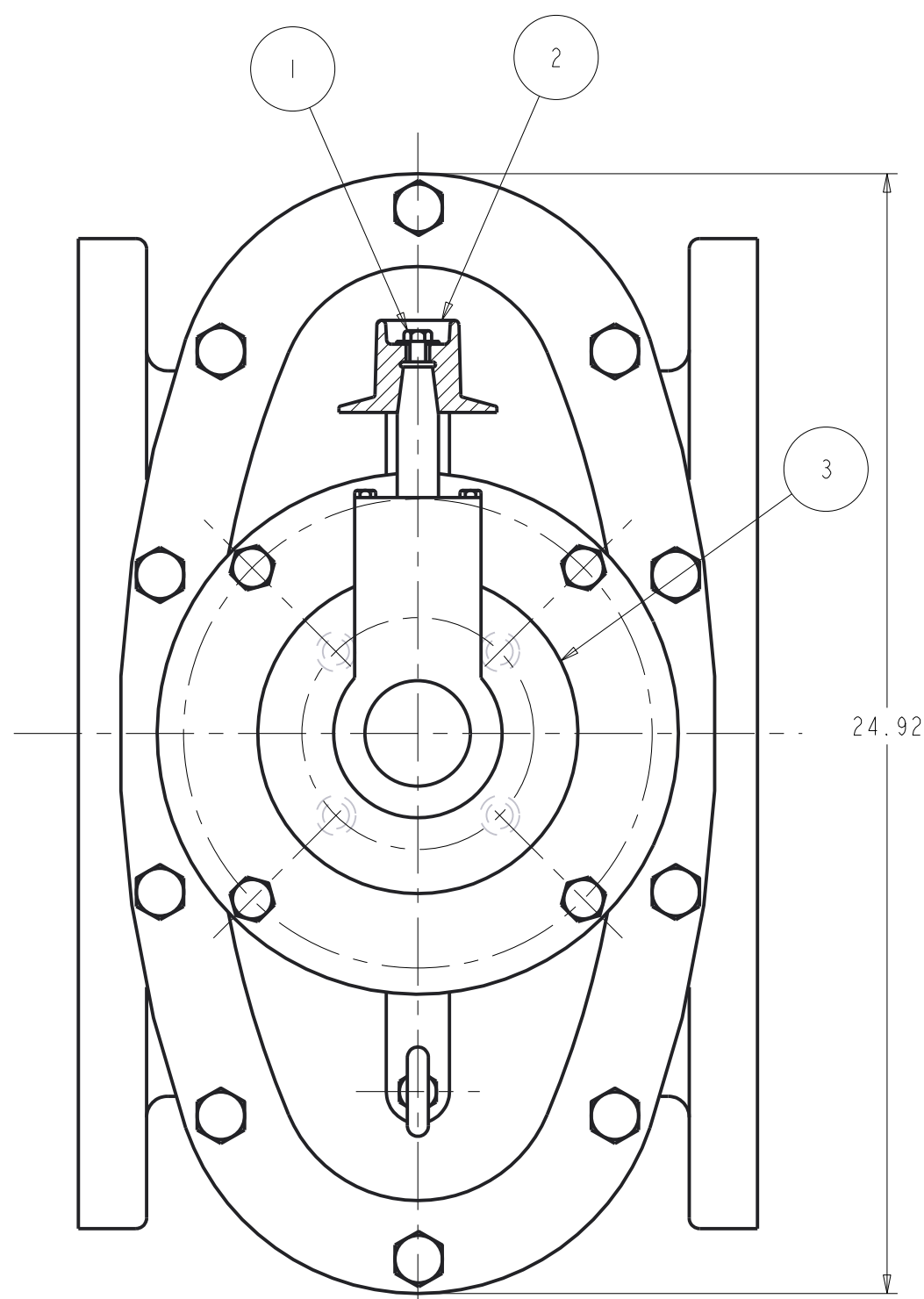
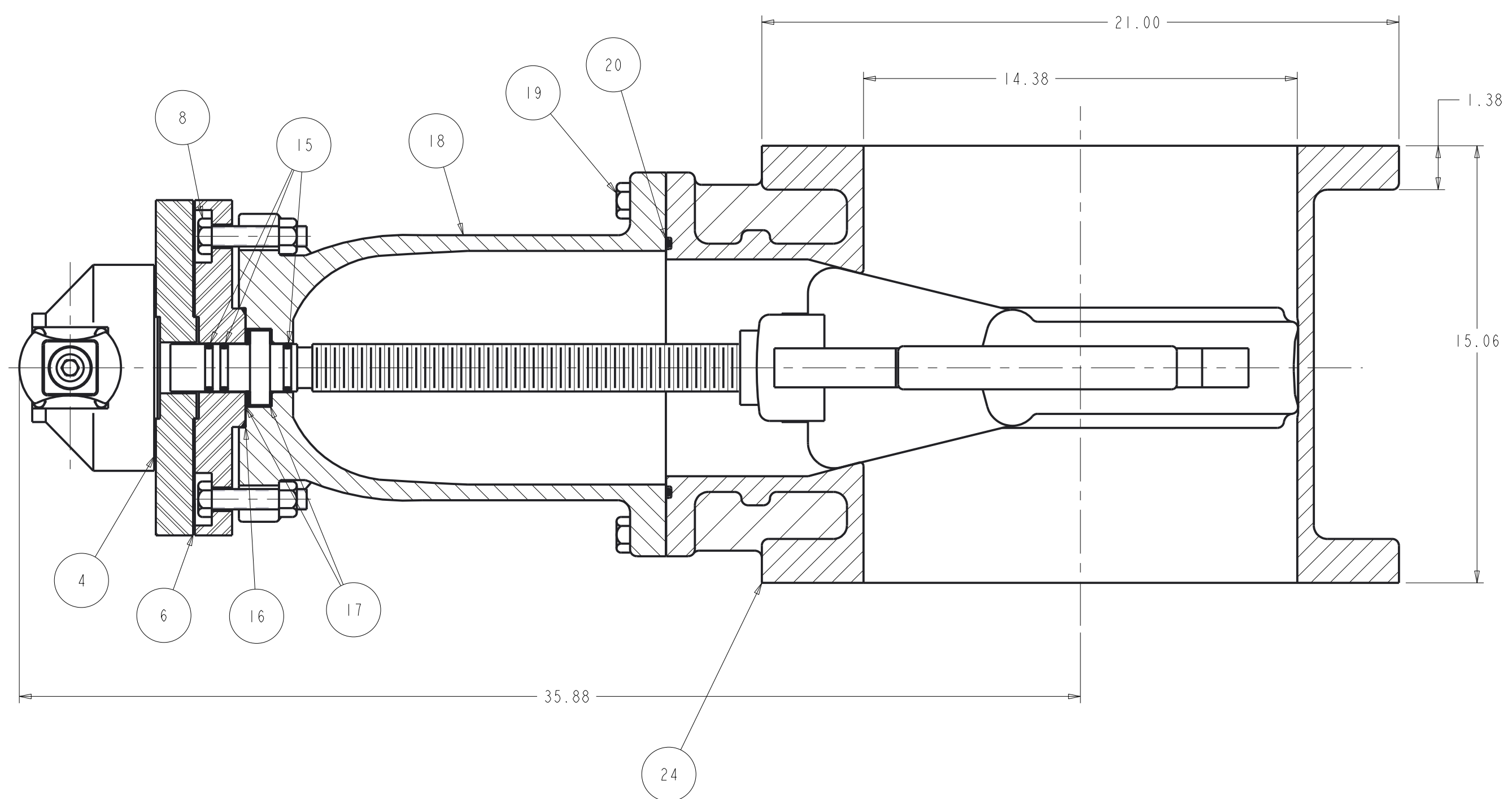
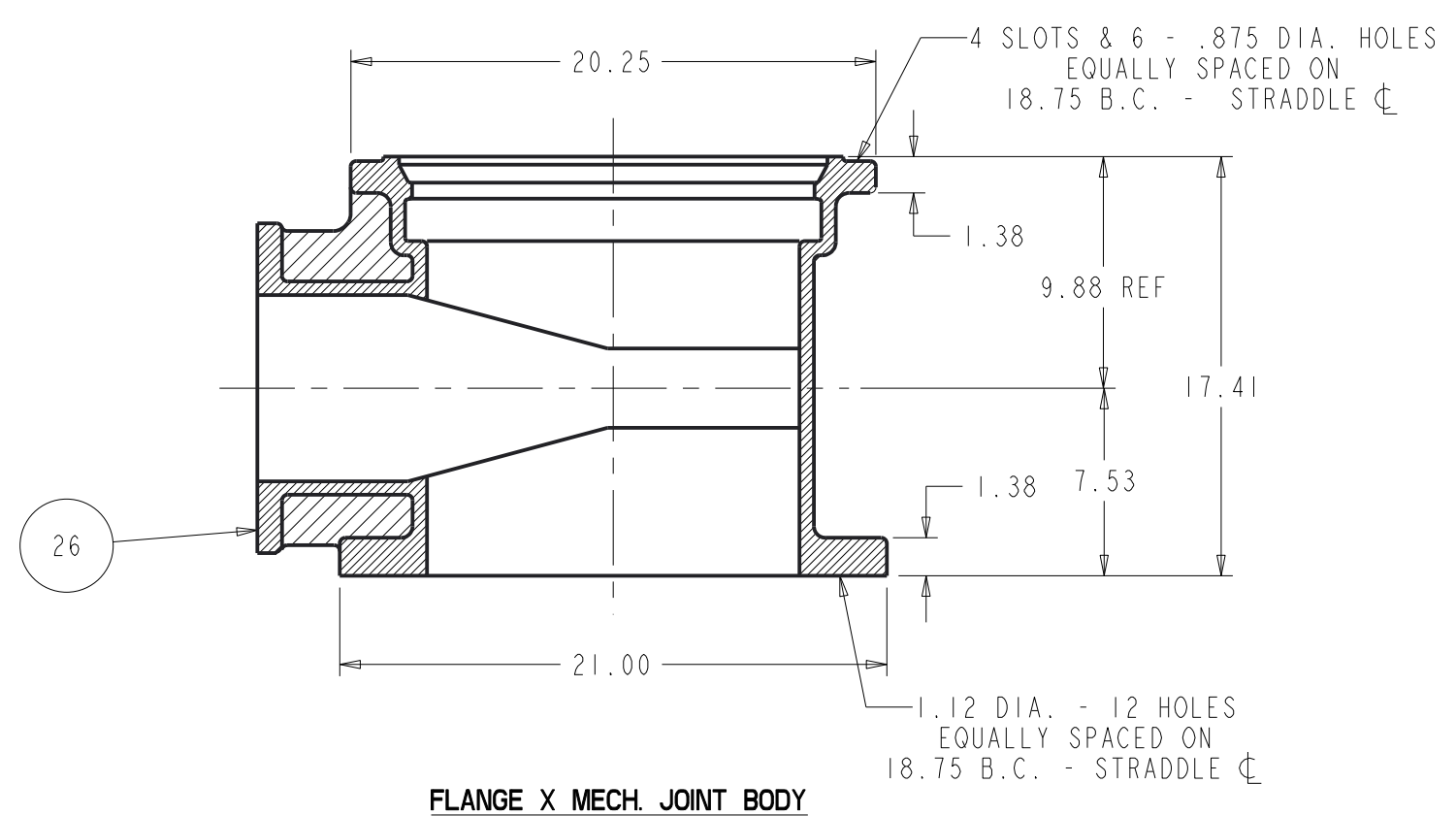
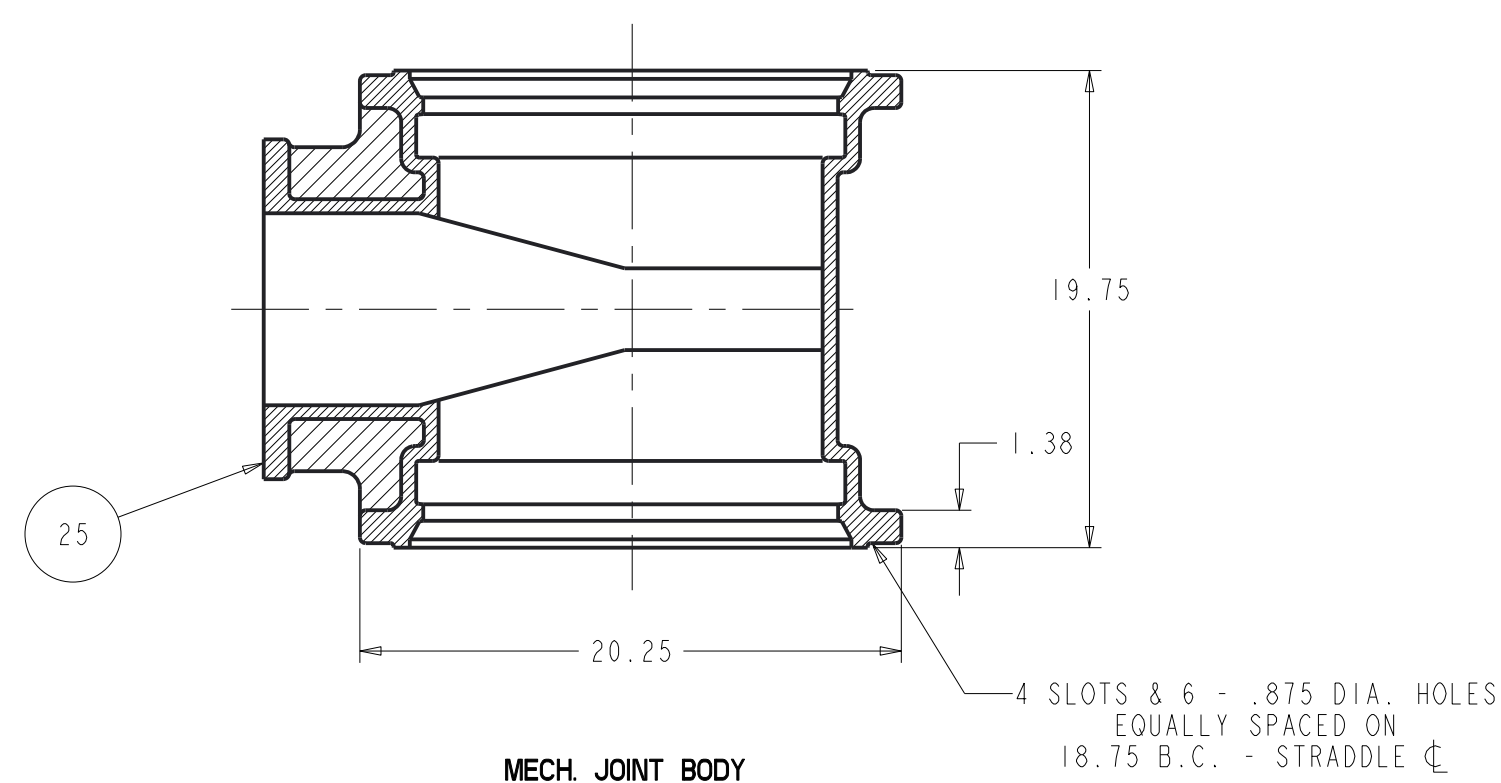


U7274 A2361 RESILIENT WEDGE GATE VALVE - FLANGE X FLANGE ENDS, & MECH. JOINT X MECH. JOINT ENDS A2361-02 WITH BEVEL GEARING



NOTE
ITEMS NOS. 13 & 14
ROTATED 45° OUT
OF TRUE POSITION



PARTS LIST - GEARED VALVE

ITEM	DESCRIPTION	REQ'D	MATERIAL	ASTM	
1	CAP SCREW	1	STEEL	**	TYPE 316
2	WRENCH NUT	1	CAST IRON	A126	CLASS B
3	VALVE ACTUATOR	1			
4	ACTUATOR GASKET	1	EPDM	D2000	
5	ADAPTER	1	STEEL	A36	
6	STUFFING BOX GASKET	1	NITRILE	D2000	
7	STUFFING BOX	1	STEEL	A36	
8	HEX HEAD BOLT	2	STEEL	**	TYPE 316
9	SOCKET HD. CAP SCREW	2	STEEL	**	TYPE 316
10	DRIVE SLEEVE	1	*		
11	KEY	1	STEEL		
12	STEM	1	BRONZE	B138	
13	SOCKET HD. CAP SCREW	4	STEEL	**	TYPE 316
14	HEX HEAD BOLT	4	STEEL	**	TYPE 316
15	"O" RING	3	NITRILE	D2000	
16	"O" RING	1	NITRILE	D2000	
17	ANTI-FRICTION WASHER	2	BRASS		
18	BONNET	1	DUCTILE IRON	A536	
19	HEX BOLT	10	STEEL	**	TYPE 316
20	"O" RING	1	RUBBER	D2000	MUELLER R34
21	DISC NUT	1	BRONZE	B62	
22	DISC	1	***		
23	GUIDE CAP	2	ACETAL		
24	FLG X FLG BODY	1	DUCTILE IRON	A536	
25	MJ X MJ BODY	1	DUCTILE IRON	A536	
26	FLG X MJ BODY	1	DUCTILE IRON	A536	
31	EYE BOLT	2	STEEL		ANSI B18.15
32	HEX NUT	2	STEEL	A307	ANSI B18.15

* SUPPLIED W/ACTUATOR BUT FINISHED BY MUELLER CO.

** ASTM F593 FOR BOLTS & ASTM F594 FOR NUTS

*** RUBBER ENCAPSULATED DUCTILE IRON DISC
DUCTILE IRON - ASTM A536 (65-45-12) OR (70-50-05)
SBR RUBBER ASTM D2000

APPROVED
By Matthew Sliger at 3:17 pm, Jun 26, 2017

DR BY	AO	6/8/17	UNLESS OTHERWISE NOTED	THIRD ANGLE PROJECTION	C.D. NO.
CHKD	BB	6/8/17	BREAK CAST CORNERS!		PART. NO.
ENGR	MS	6/8/17	BREAK MACH CORNERS!		
MFR			TOLERANCES	PURCH.	FINISH
MFG			UNLESS OTHERWISE NOTED	REF. NO.	SCALE
TOOL			LINEAR	ANGULAR	NONE
FBRY			±	±	STR. NO.
MAT'L		DESCR:		NUMBER	
		1.4" RWGV W/SILICON BRONZE STEM - FLG. ENDS		U7274	
		W/BEVEL GEARS			