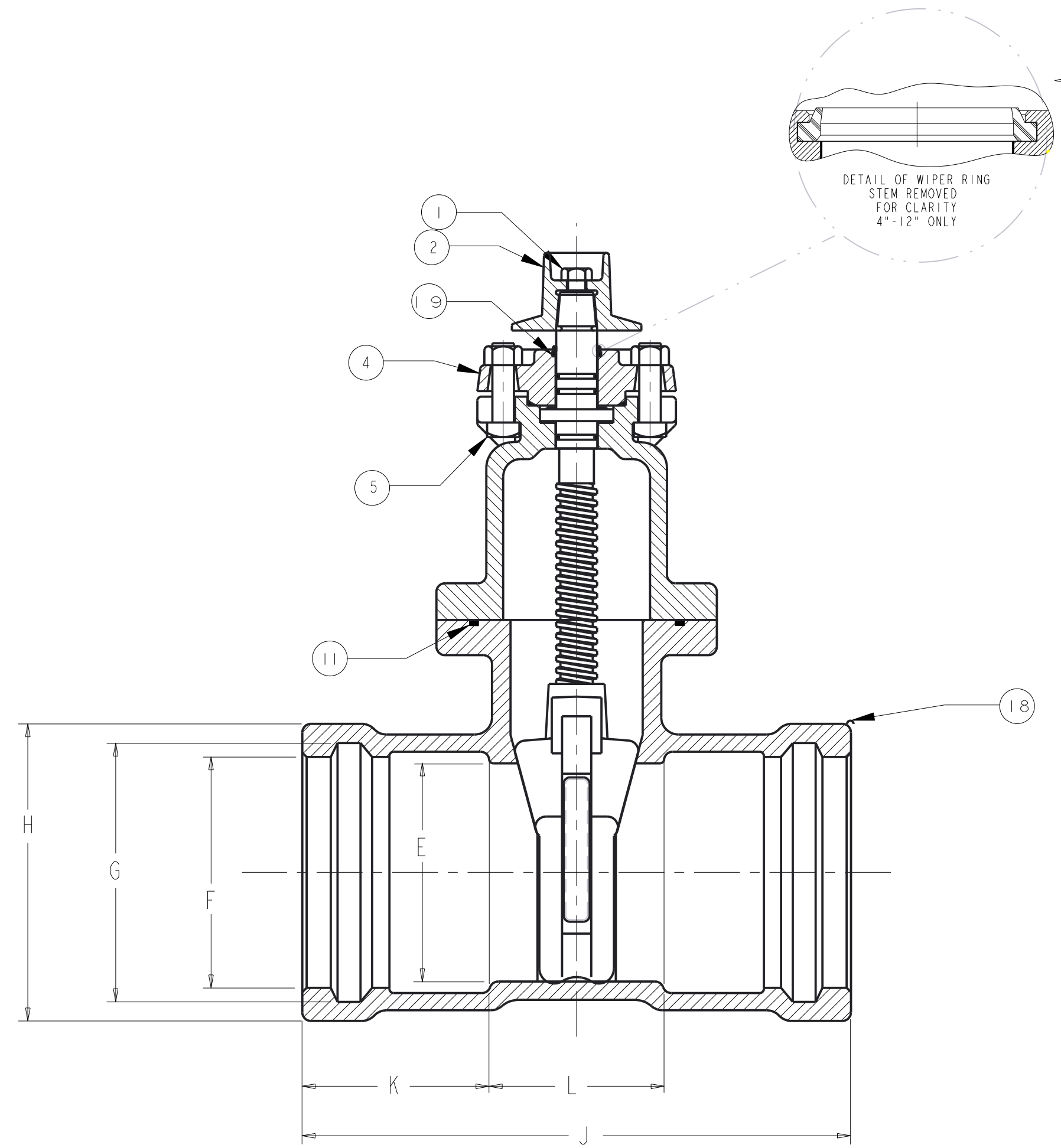
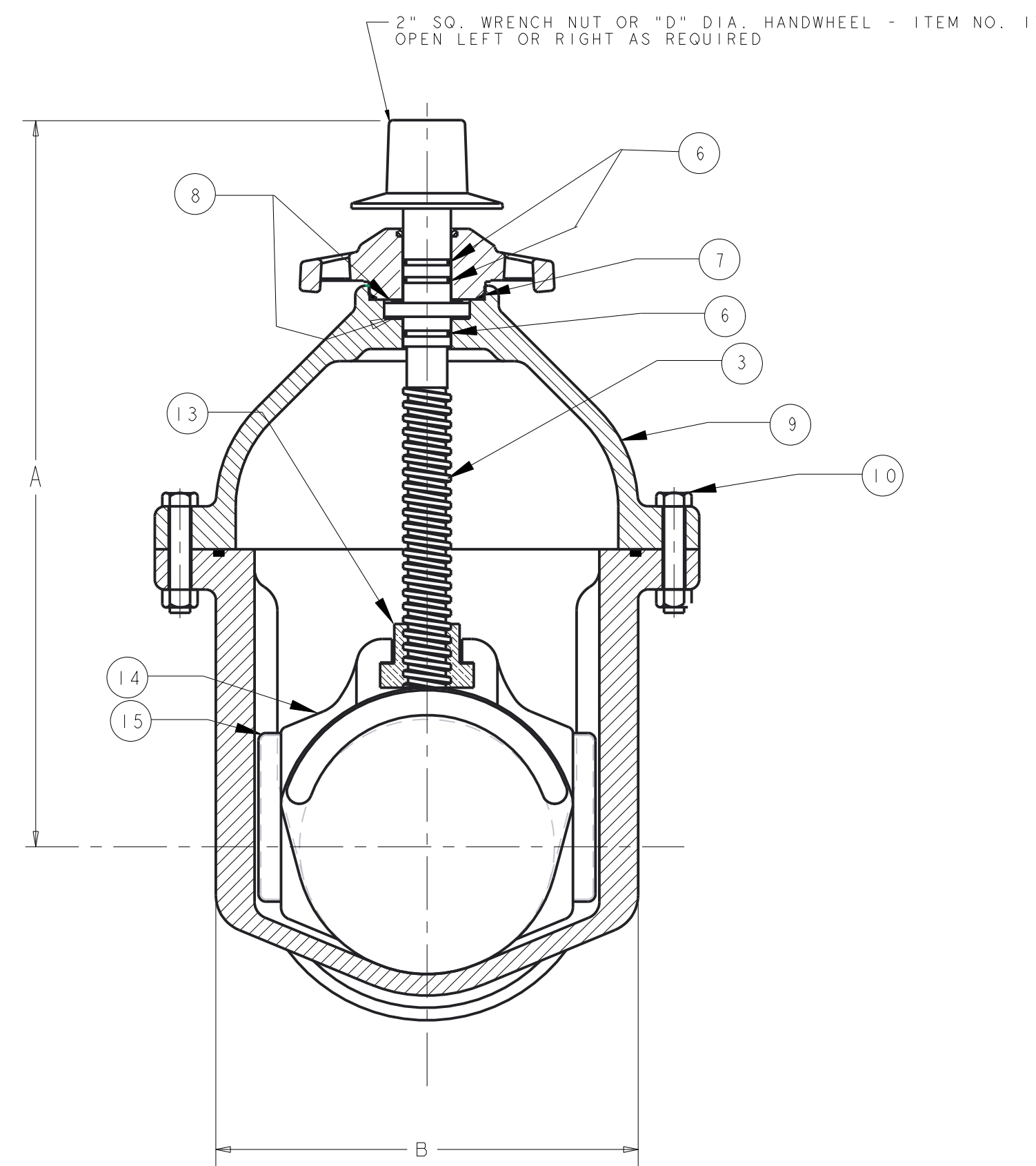
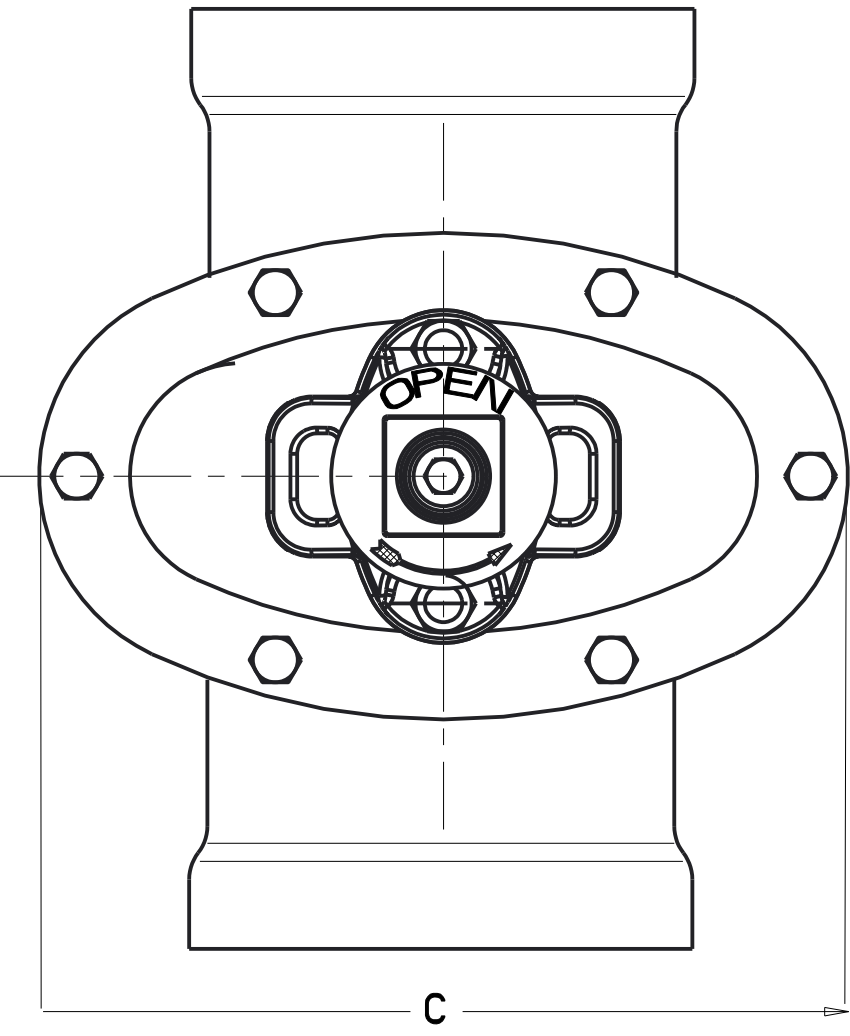


U7434 4 IN - 8 IN MUELLER A-USP2-37 RESILIENT WEDGE GATE VALVE - W/RADIAL COMPRESSION ENDS



ITEM	DESCRIPTION	REQ'D	MATERIAL	ASTM	
1	CAP SCREW	1	316 STAINLESS STEEL	F593	GROUP 2-CW
2	WRENCH NUT	1	DUCTILE IRON	A536	
3	STEM	1	BRONZE	B138	ALLOY C67600
4	STUFFING BOX	1	DUCTILE IRON	A536	
5	STUFFING BOX BOLT STUBBING BOX NUT	2	316 STAINLESS STEEL 316 STAINLESS STEEL	F593 F594	GROUP 2-CW GROUP 2-CW
6	O-RING	3	RUBBER	D2000	NITRILE
7	O-RING	1	RUBBER	D2000	NITRILE
8	ANTI-FRICTION WASHER	2	ACETAL		
9	BONNET	1	DUCTILE IRON	A536	
10	BONNET BOLT BONNET NUT	"M"	316 STAINLESS STEEL 316 STAINLESS STEEL	F593 F594	GROUP 2-CW GROUP 2-CW
11	O-RING	1	RUBBER	D2000	NITRILE
13	DISC NUT	1	BRONZE	B584	
14	DISC	1	"*"		
15	GUIDE CAP	2	ACETAL		
17	HANDWHEEL	1	CAST IRON	A126	CLASS B
18	BODY	1	DUCTILE IRON	A536	
19	WIPER RING	1	RUBBER		

* RUBBER ENCAPSULATED DUCTILE IRON DISC
DUCTILE IRON - ASTM A536
RUBBER -SBR - ASTM D2000

DIMENSIONS FOR US PIPE RESILIENT WEDGE VALVE - INCHES (this drawing only)													
VALVE SIZE	A	B	C	D	E	F	G	H	J	K	L	M	URNS TO OPEN
4	14.19	8.19	10.81	11.00	4.30	4.58	5.26	6.19	13.43	4.46	4.51	4	14
6	18.00	10.50	13.50	13.00	6.30	6.69	7.51	8.62	15.91	5.46	5.00	6	20.5
8	21.50	13.12	16.38	14.00	8.30	8.73	9.84	11.06	18.40	6.20	6.00	6	26.5

APPROVED
By Matthew Sliger at 3:54 pm, Oct 10, 2017

DR BY: AO	10/4/17	UNLESS OTHERWISE NOTED	THIRD ANGLE PROJECTION	C.D. NO.
CHKD: BB	10/4/17	BREAK CAST CORNERS!		PATT. NO.
ENGR: MS	10/4/17	BREAK MACH CORNERS!		
MFR:		TOLERANCES	PURCH. NO.	FINISH
MFG:		UNLESS OTHERWISE NOTED	REF. NO.	SCALE
TOOL:		LINEAR ±	ANGULAR ±	NONE
FDRT:				STR. NO.
MAT'L		DESCR.		NUMBER
UNITED STATES PIPE VALVE & HYDRANT DIVISION CHATTANOOGA TENNESSEE		4"-8" RWGV A USP2-37		U7434